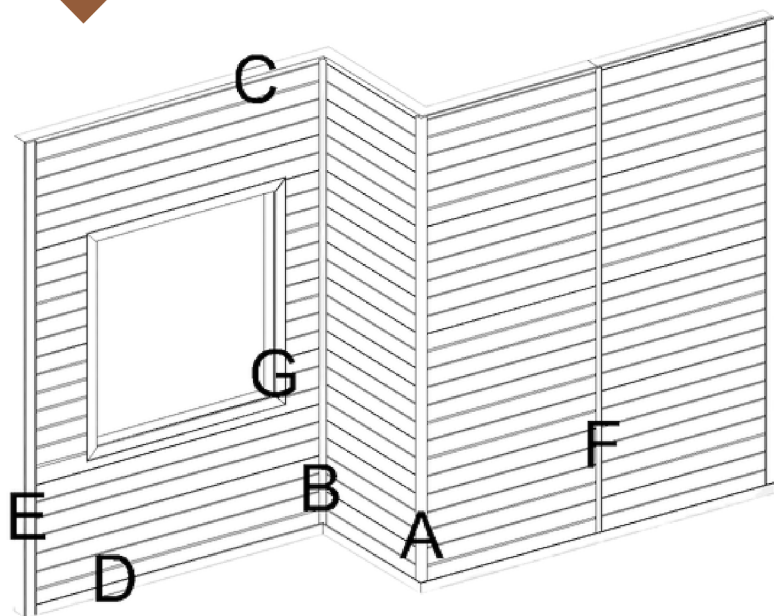




LINK
Decorative Designs

PROUD | TRUSTED
RELIABLE





2. Horizontal cladding profiles
3. A - Starter detail
4. B - External corner detail
6. C - Internal corner detail
8. D - Cladding joiner detail
10. E - Side finishing detail
12. F - Cladding joiner detail
14. G - Window detail
17. Horizontal Cladding External corner detail +Starter + Finisher
20. Horizontal Cladding Internal corner detail +Starter + Finisher

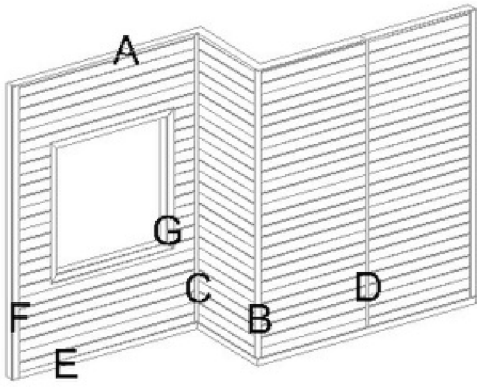
HORIZONTAL CLADDING

Cladding 100		
Cladding 150		
Cladding 200		
Starter		
Finishers		
Corner pieces		
Joiner		

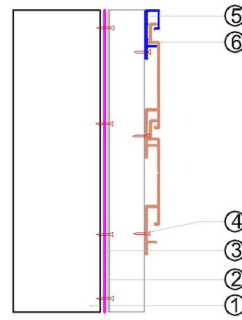
NOTE:

- Be mindful during the entire installation process. First, the battens should be installed, then the base piece of the starter, finisher joiner, and corner pieces should be installed. After that, the cladding boards should be installed. Finally, the finishing parts of the finisher joiner and corner pieces should be installed.
- It is important to manage the shadow gap (between 1-15mm) in all projects, based on your design.
- It is important to apply silicon to the edges to make the corner be sealed and waterproof.

HORIZONTAL CLADDING - SECTION A - STARTER DETAIL

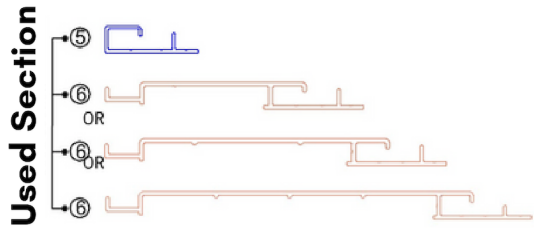
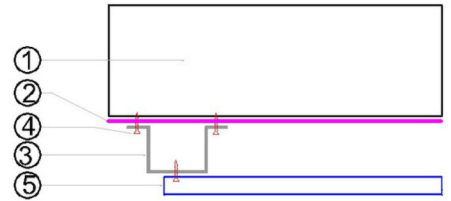


Section view

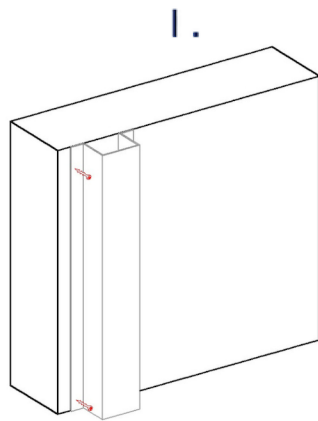


- 1- Building structure by others
- 2- Sarking by others
- 3- Batten or top hat
- 4- Screw
- 5- Starter piece
- 6- Cladding board

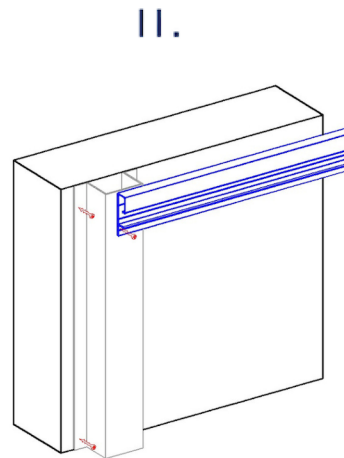
Plan View



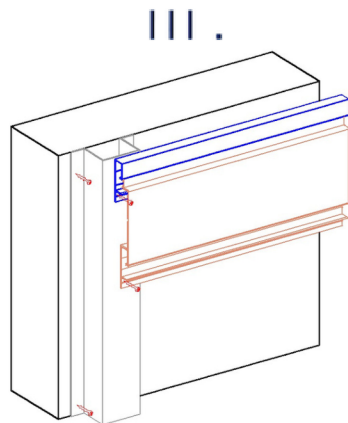
- Install battens or top hat to building structure.
- Level them with other installed battens.



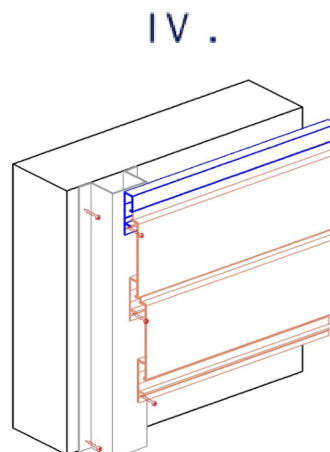
- Install starter piece.
- Screw its down side to batten.



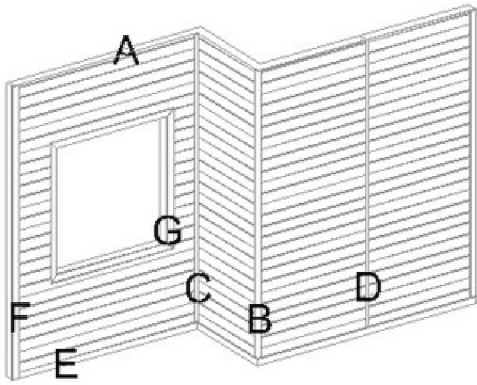
- Insert cladding board into position.
- Attach its downside to batten using a screw.
-



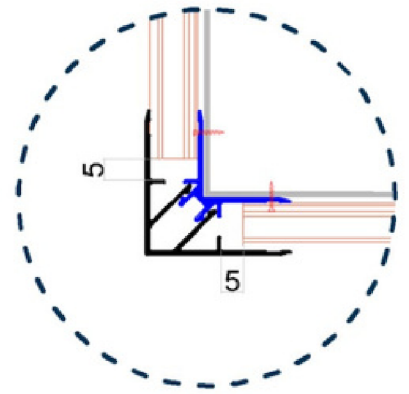
- Install the next cladding boards similar to the first one.



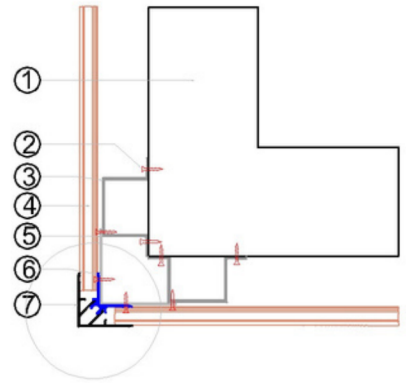
HORIZONTAL CLADDING - SECTION B - EXTERNAL CORNER DETAIL



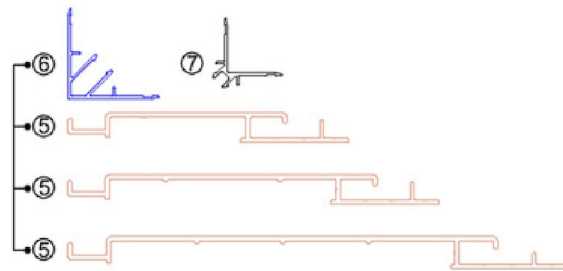
There should be at least a 5 mm gap between the cladding board and corner pieces to allow expansion and contraction.



Plan View

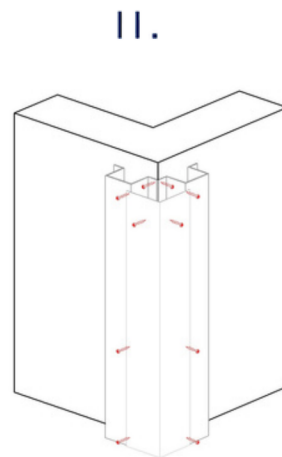
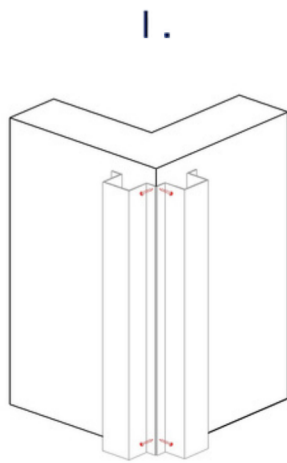


Used section



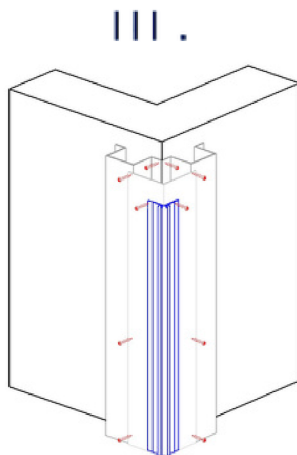
- 1- Building structure by others
- 2- Sarking
- 3- Screw
- 4- Batten or top hat
- 5- Cladding board
- 6- Angle
- 7- Male corner piece
- 8- Female corner piece

- Install battens or top hat to the corner of the building structure
- Level them with other installed battens.

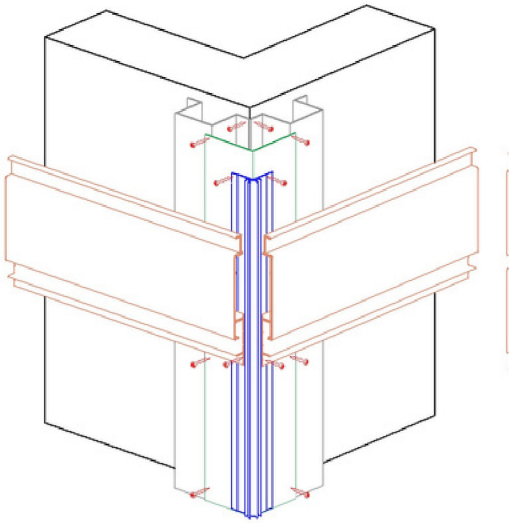


- Install angle piece to give right angle.
- Screw it to batten or top hat.

- Install male corner piece
- Screw from its sides to angle piece.

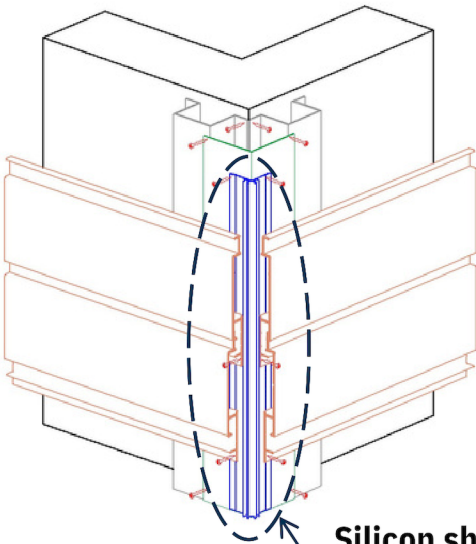


IV .



- Cut the cladding board to the required length.
- Screw its down side to the male piece.

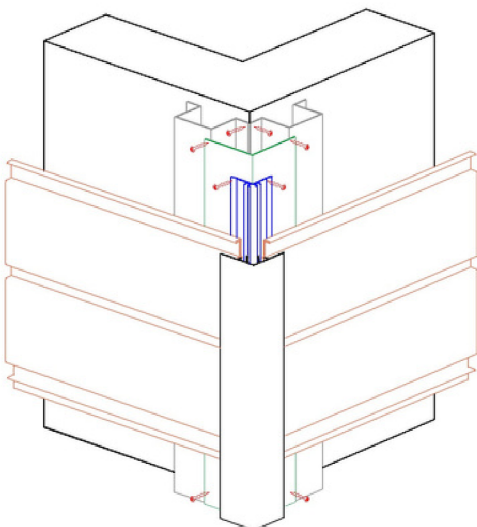
V .



Silicon should apply to these edges of cladding boards.

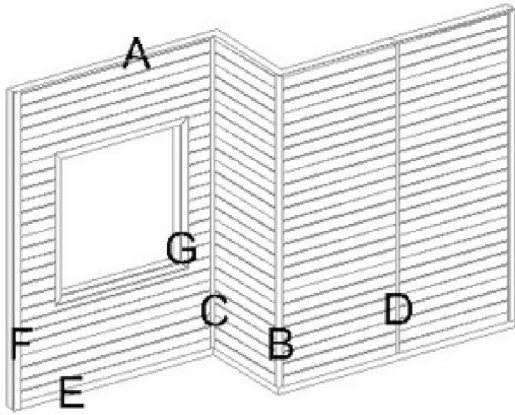
- Do previous operation for the rest of the cladding boards.
- At the end, applying silicon to the edges of cladding boards is recommended to make the corner be sealed and waterproof.

VI .

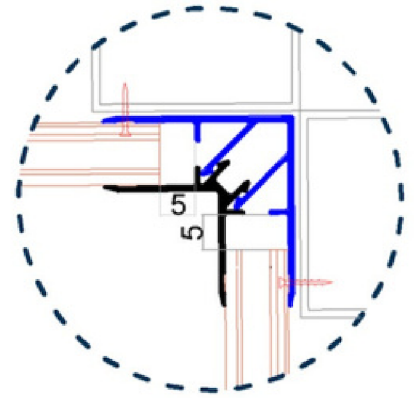


- Clip female corner piece onto male piece to conceal cladding board edges, screws, and fixing.

HORIZONTAL CLADDING - SECTION C - INTERNAL CORNER DETAIL

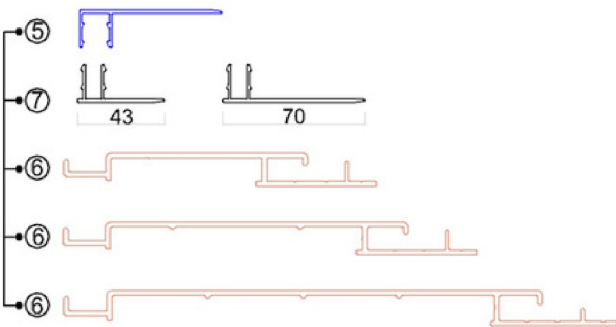


There should be at least 5 mm gap between the cladding board and corner pieces to allow expansion and contraction.

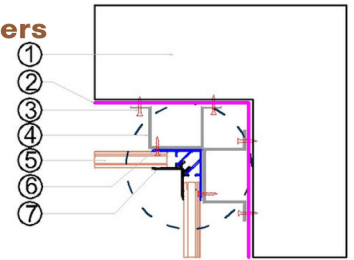


Plan View

Used section

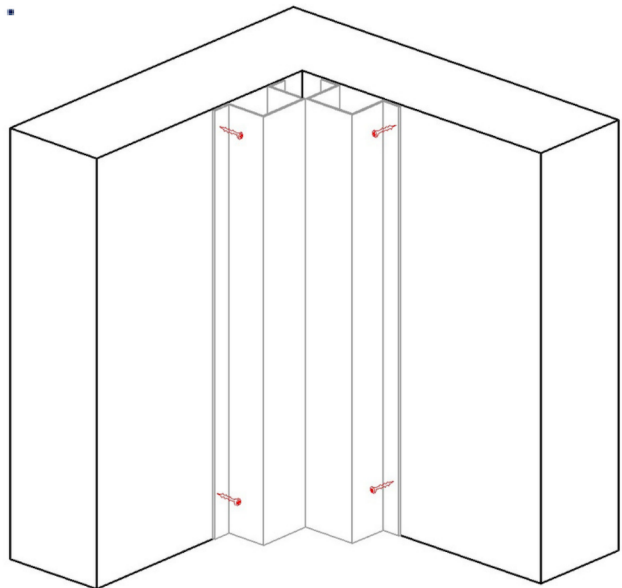


- 1- Building structure by others
- 2- Sarking
- 3- Screw
- 4- Batten or top hat
- 5- Cladding board
- 6- Female corner piece
- 7- Male corner piece



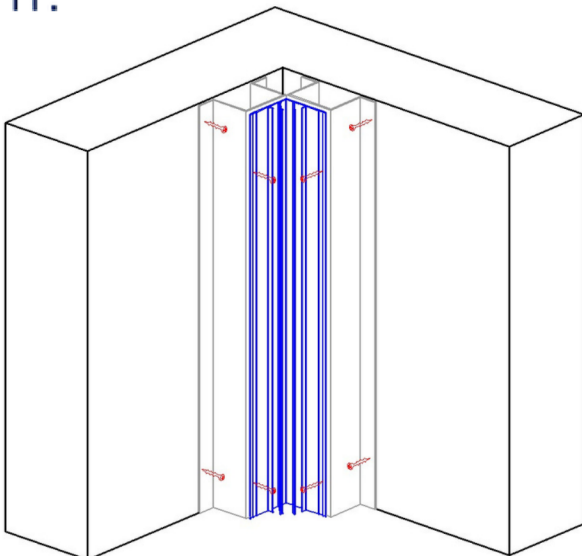
- Install battens or top hat to the corner of the building structure
- Level them with other installed battens.

I.

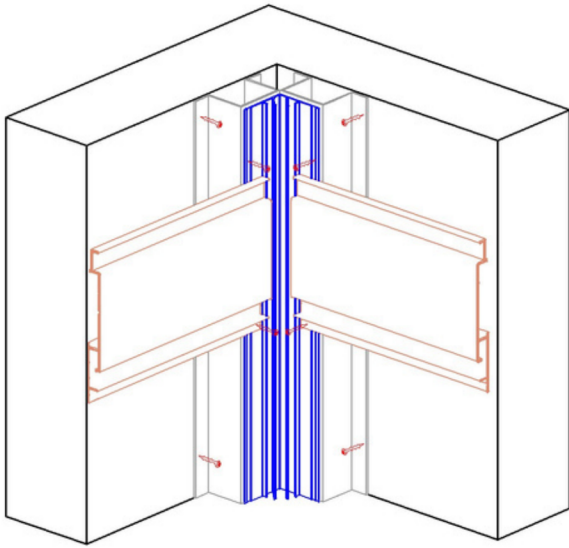


- Install female corner piece.
- Screw from its sides to battens.

II.

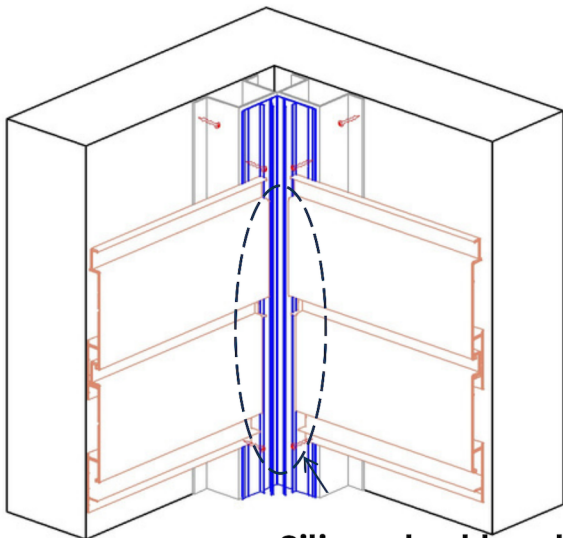


IV .



- Cut the cladding board to the required length.
- Screw its down side to the female piece.

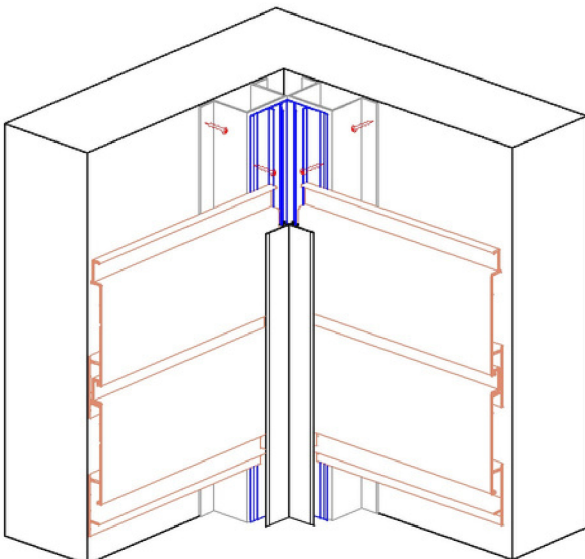
V.



Silicon should apply to these edges of cladding boards.

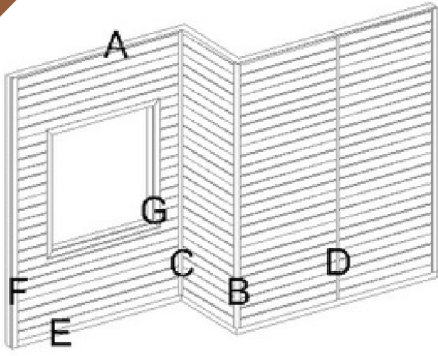
- Do previous operation for the rest of the cladding boards.
- At the end, applying silicon to the edges of cladding boards is recommended to make the corner be sealed and waterproof.

VI

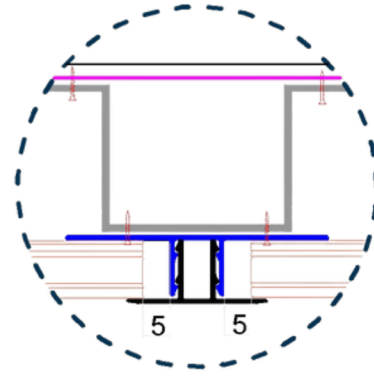


- Clip male corner piece onto male piece to conceal cladding board edges, screws, and fixing.

HORIZONTAL CLADDING - SECTION D – CLADDING JOINER DETAIL

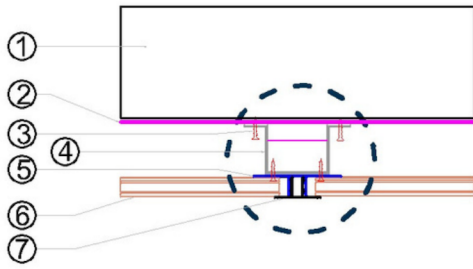


Plan View

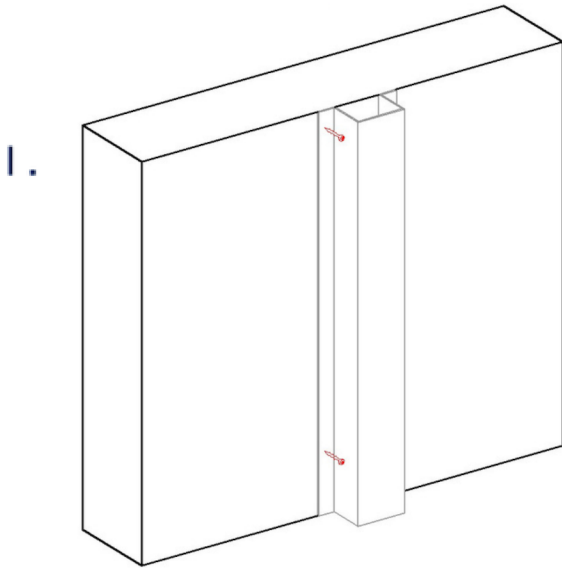


- There should be at least a 5 mm gap between the cladding board and joiner pieces to allow expansion and contraction.

Used section

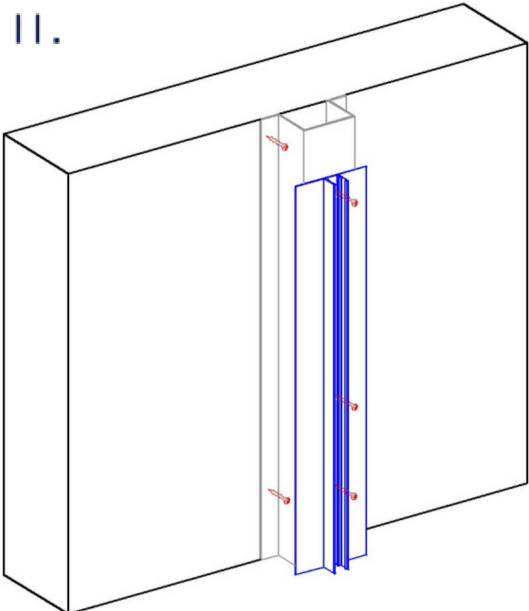


- 1- Building structure by others
- 2- Sarking by others
- 3- Screw
- 4- Batten or top hat
- 5- Female joiner base
- 6- Cladding board
- 7- Male joiner top

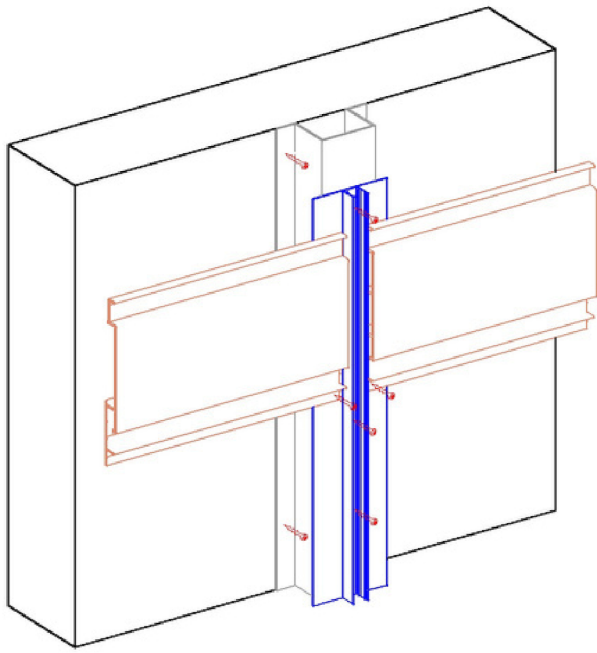


- Install batten or top hat to building structure.
- Level them with other installed battens.

- Install female joiner base.
- screw it to batten.

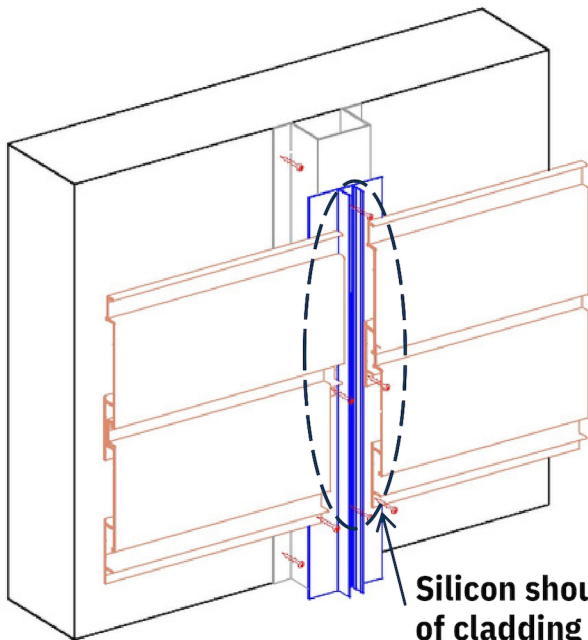


III.



- Cut the cladding board to the required length.
- Screw its down side to the female base.

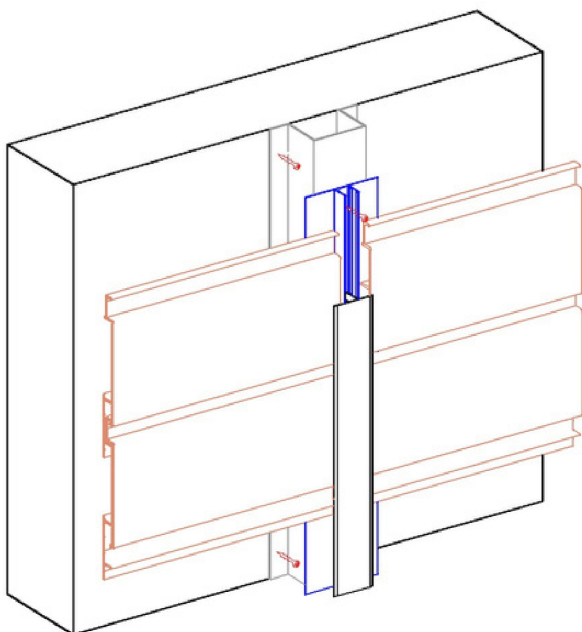
IV.



- Do previous operation for the rest of the cladding boards.
- At the end, applying silicon to the edges of cladding boards is recommended to make the joiner be sealed and waterproof.

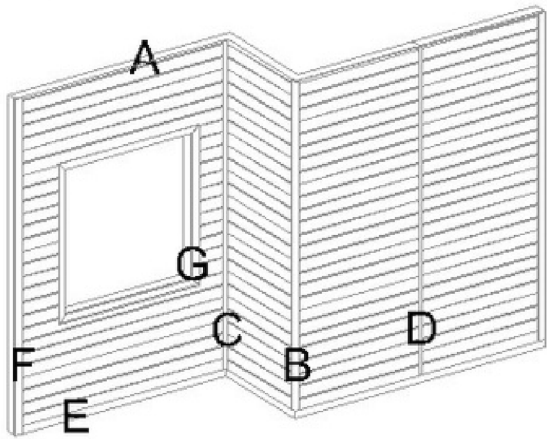
Silicon should apply to these edges of cladding boards.

V.



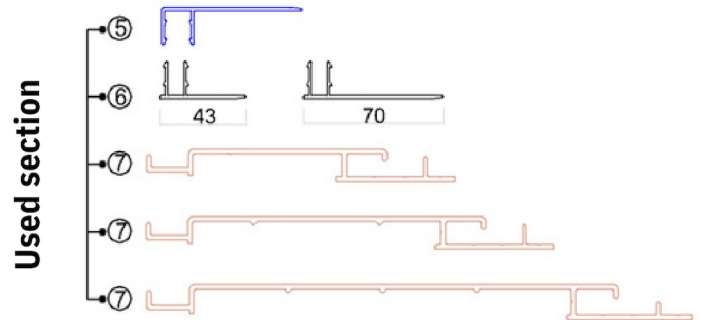
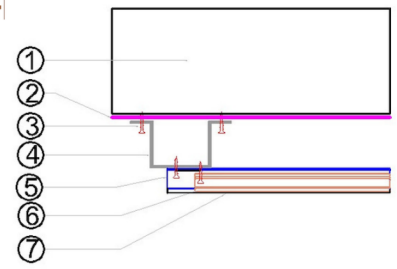
- Clip male corner piece onto male piece to conceal cladding board edges, screws, and fixing.

HORIZONTAL CLADDING - SECTION E – BASE FINISHING DETAIL

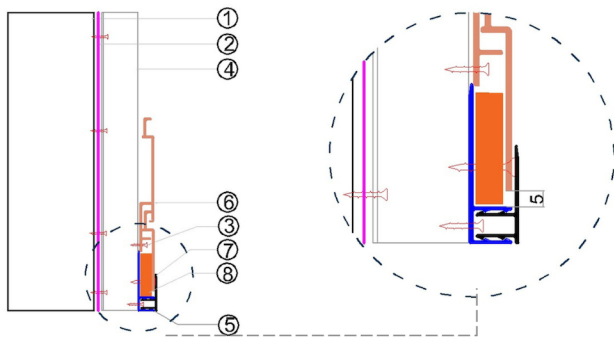


- 1- Building structure by ot
- 2- Sarking
- 3- Screw
- 4- Batten or top hat
- 5- Female finisher base
- 6- Cladding board
- 7- Male finisher top

Plan View



Section view



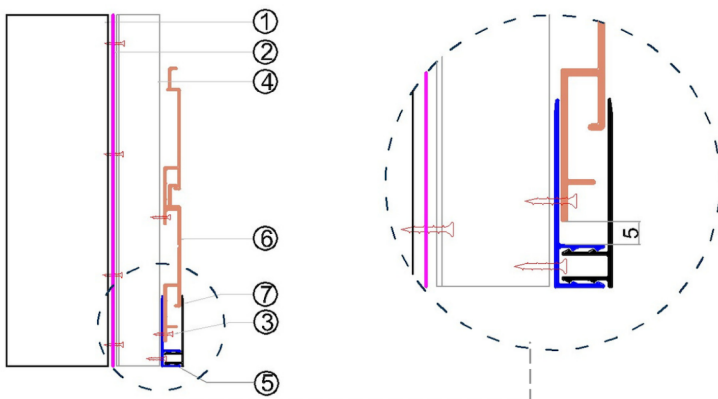
The 43mm male finisher top.

- last cladding board is cut so that it butts up to finishing piece.
- 13mm spacer is recommended to be placed behind the last board to level it with the others.

• There should be at least a 5 mm gap between the cladding board and finisher pieces to allow expansion and contraction.

OR

Section view

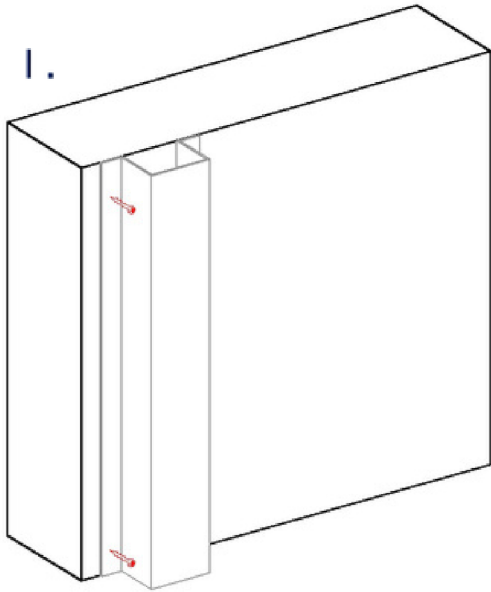


•The 70mm male finisher top.

- There should be at least a 5 mm gap between the cladding board and finisher pieces to allow expansion and contraction.

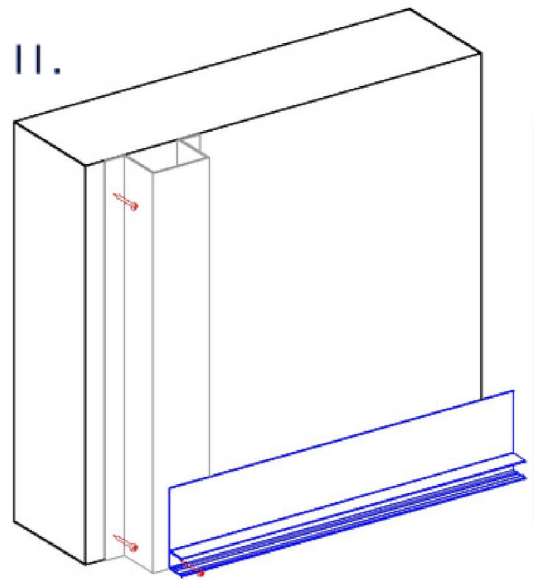
HORIZONTAL CLADDING - SECTION E – BASE FINISHING DETAIL

I.



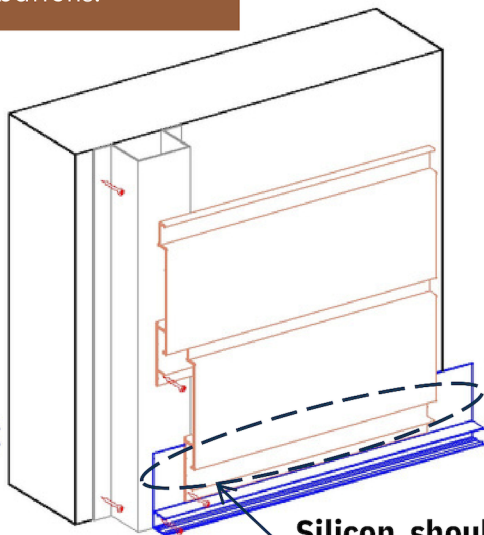
- Install battens or top hat to building structure.
- Level them with other installed battens.

II.



- Install female finisher base.
- screw it to batten.

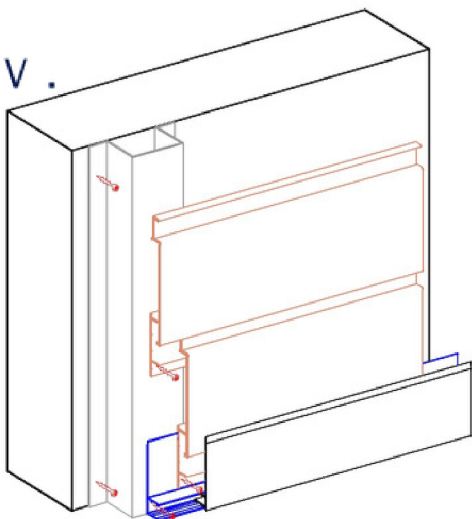
III.



Silicon should apply to these edges of cladding boards.

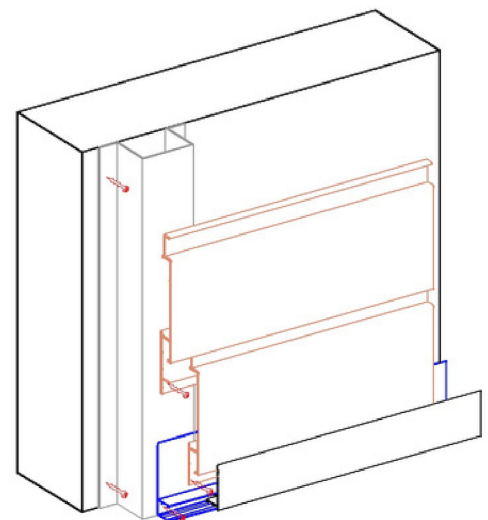
- Cut last cladding board so that it butts up to finishing base.
- If it is needed, put a 13mm spacer behind the last board to level it with the others.
- At the end, applying silicon to the edges of cladding boards is recommended to make the finishing be sealed and waterproof.

IV.

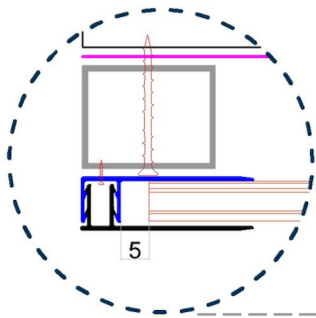
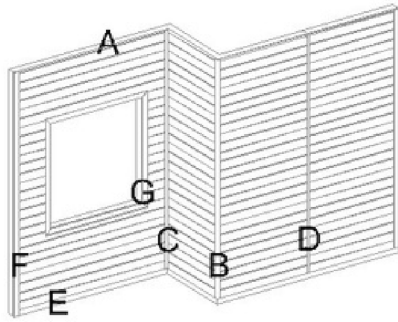


- The 70 mm male finisher top.
- Clip male finisher top on to female base. to conceal cladding board edges, screws, and fixing.

OR

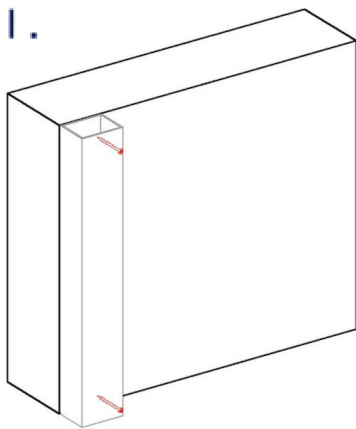


The 43 mm male finisher top.

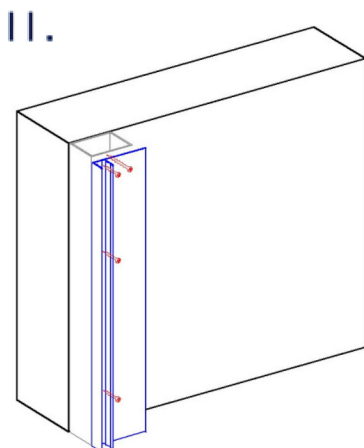


- 1- Building structure by others
- 2 Sarking by others
- 3 Batten or box section
- 4 Screw
- 5 Female finisher base
- 6 Male finisher top
- 7 Cladding board

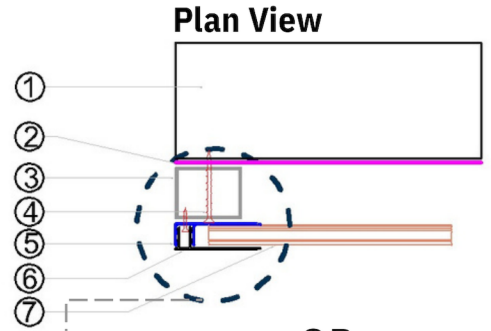
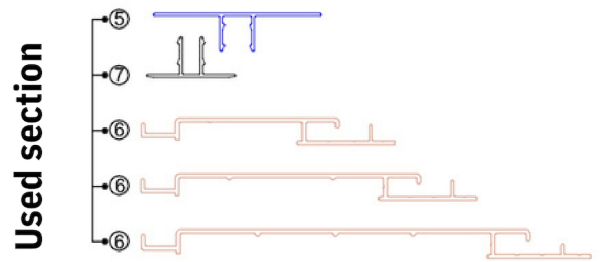
- There should be at least a 5 mm gap between the cladding board and finisher pieces to allow expansion and contraction.



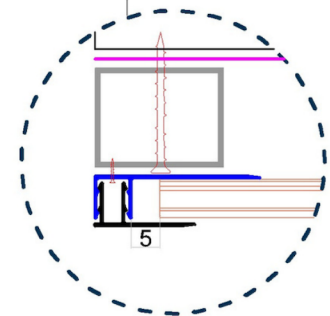
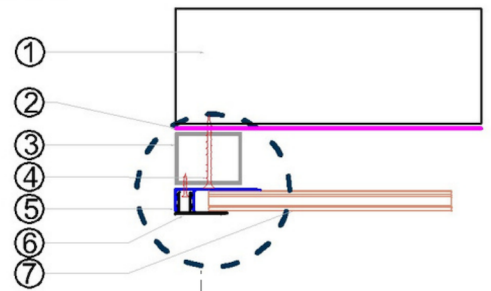
- Install battens or box section to building structure.
- Level them with other installed battens.



- Install female finisher base.
- screw it to batten.

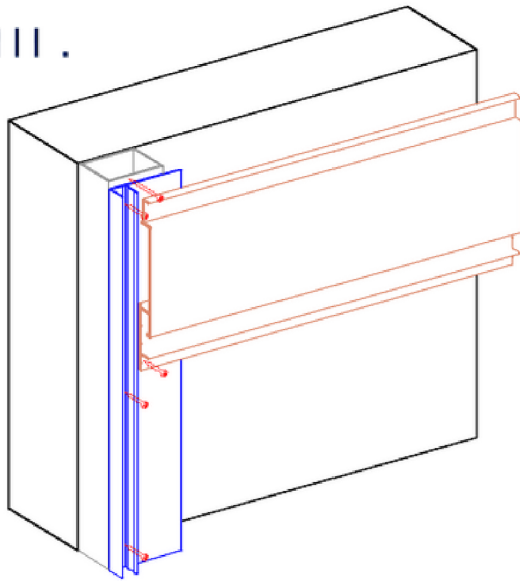


OR



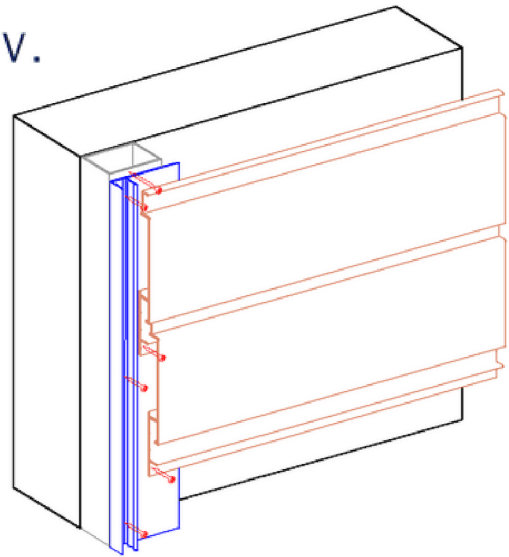
- There should be at least a 5 mm gap between the cladding board and finisher pieces to allow expansion and contraction.

III.



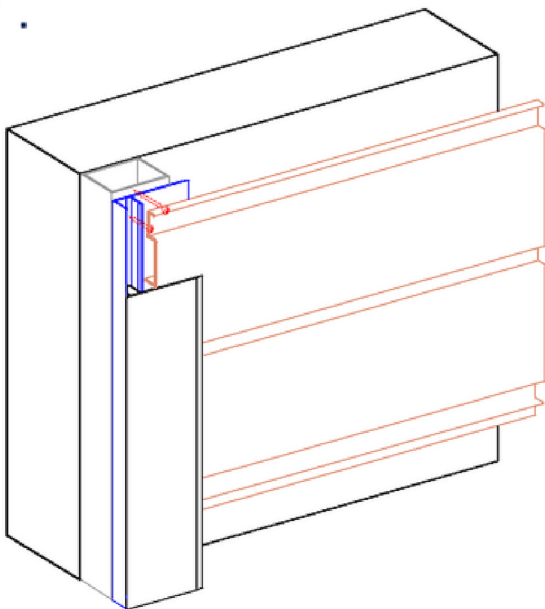
- Cut the cladding board to the required length.
- Screw its down side to the female finisher base.

IV.



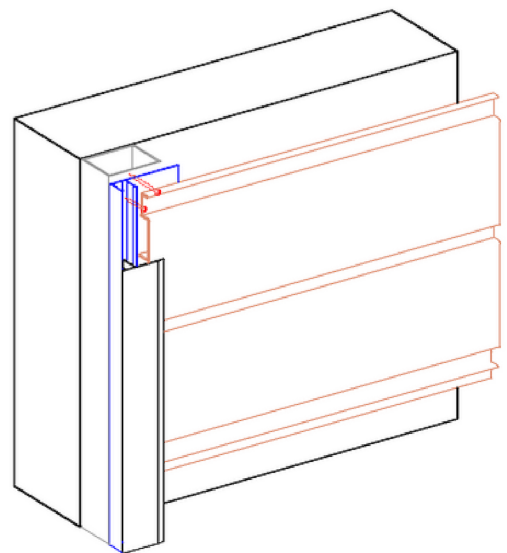
- Do previous operation for the rest of the cladding boards.
- At the end, applying silicon to the edges of cladding boards is recommended to make the finishing be sealed and waterproof.

V.

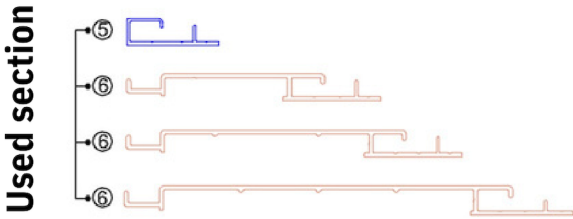
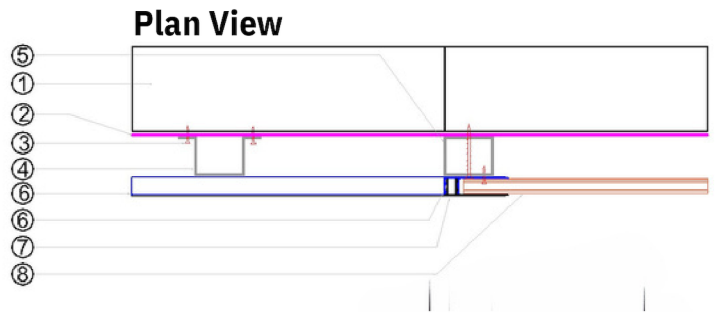
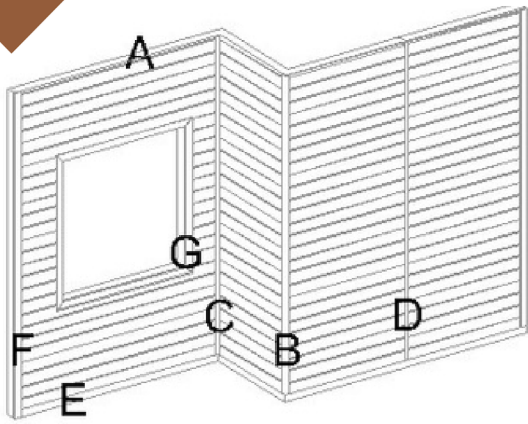


- Clip male finisher top on to female base.
- The 70 mm male finisher top.

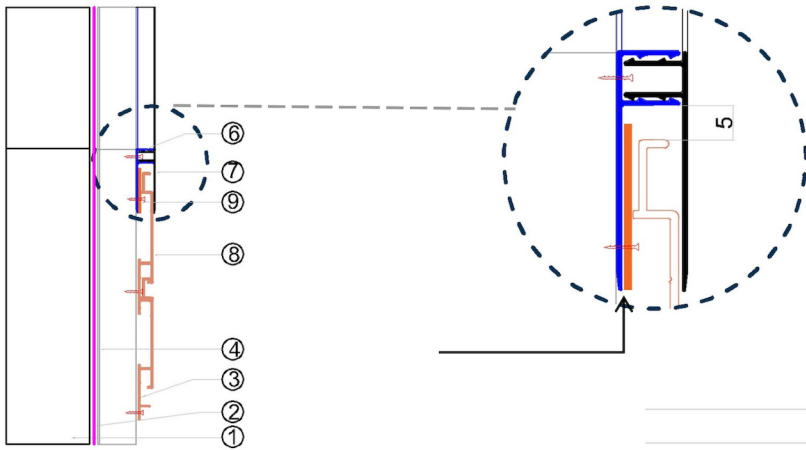
OR



The 43 mm male finisher top.

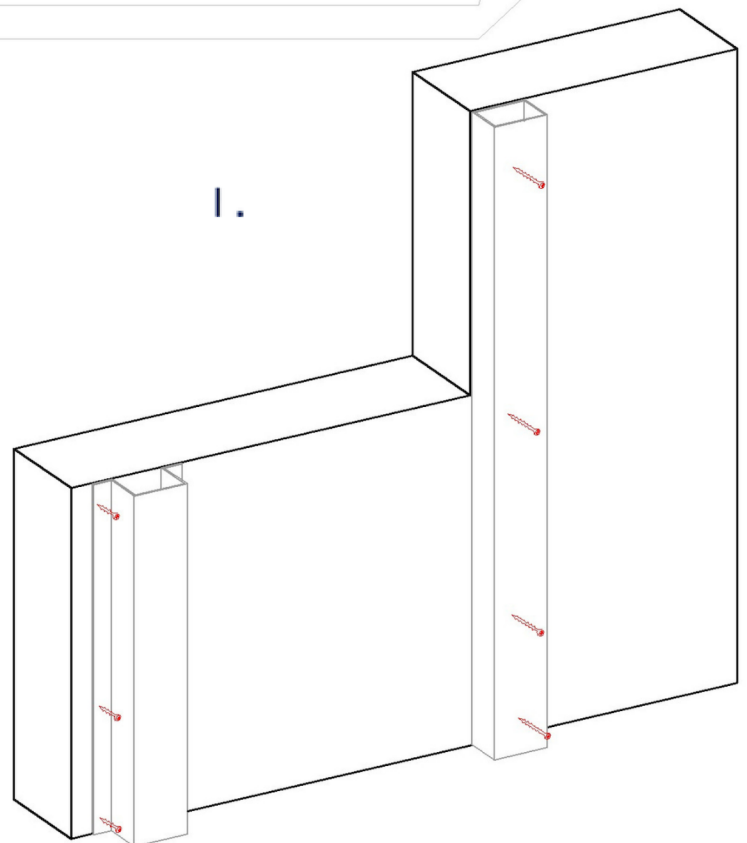


- 1- Building structure by others
- 2- Sarking by others
- 3- Screw
- 4- Batten or top hat
- 5- Box section
- 6- Female finisher base
- 7- Male finisher top
- 8- Cladding board
- 9. Spacer

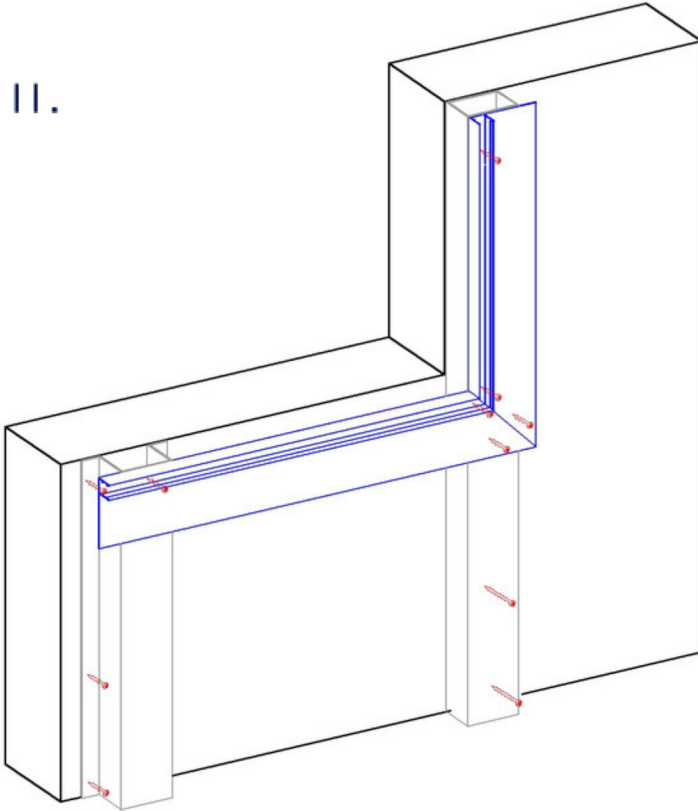


- 3mm spacer
- There should be at least a 5 mm gap between the cladding board and finisher pieces to allow expansion and contraction.
- 3 mm spacer should be put between cladding board and female finisher base to level cladding board correctly.

• Install battens to building structure near your opening in correct positions.
 • Level them with other installed battens.

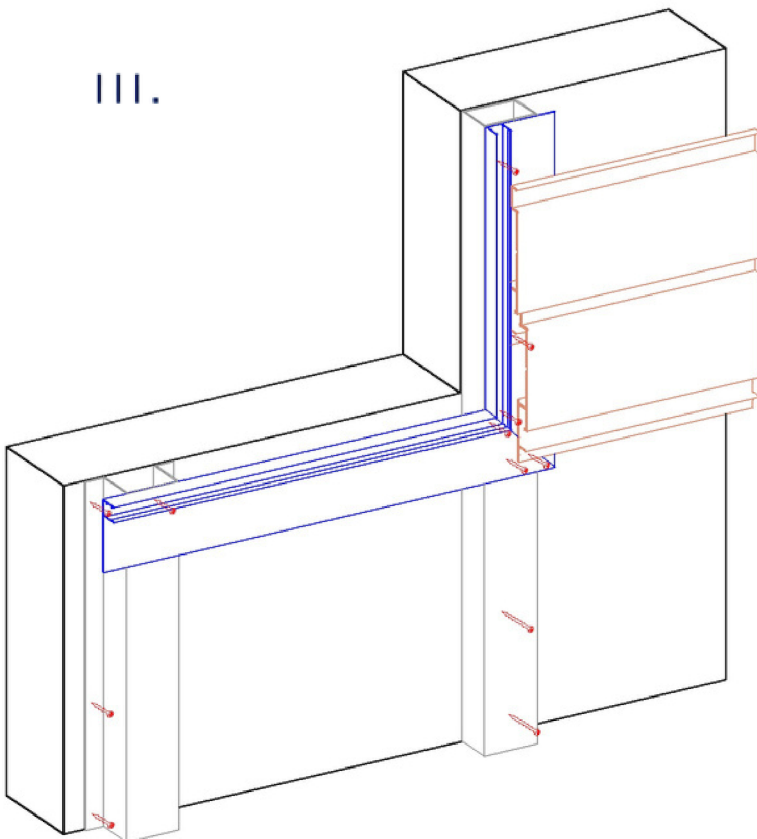


II.



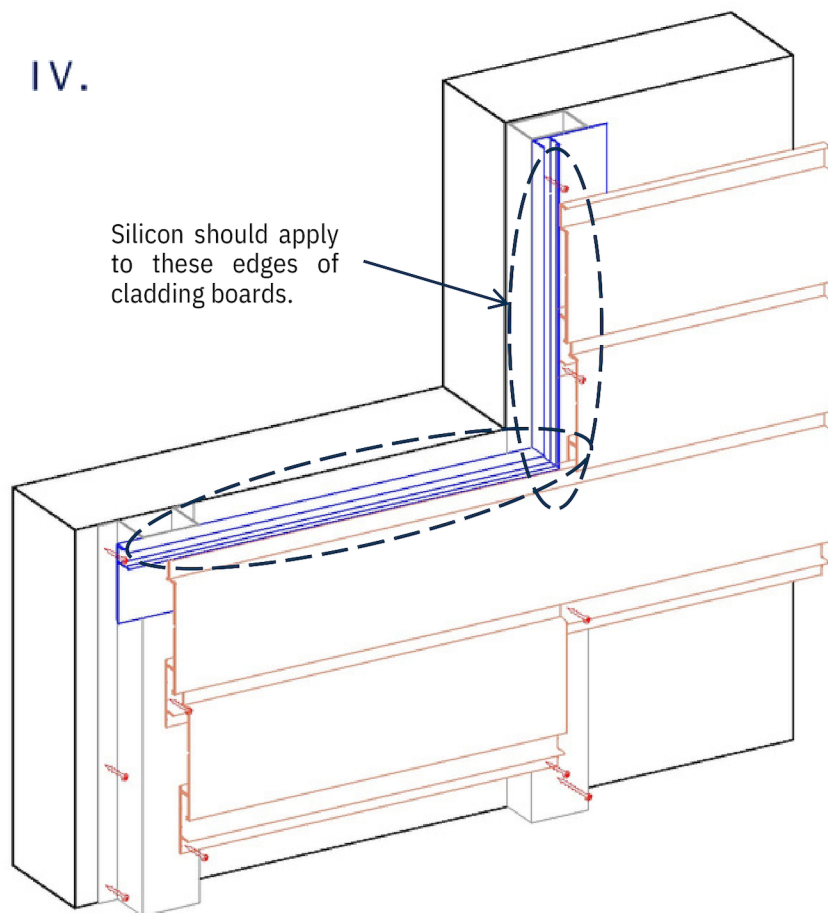
- Mitre ends of trim female finisher base under window flashing first.
- Do the same with other trim female finisher base to form a frame around the window.

III.



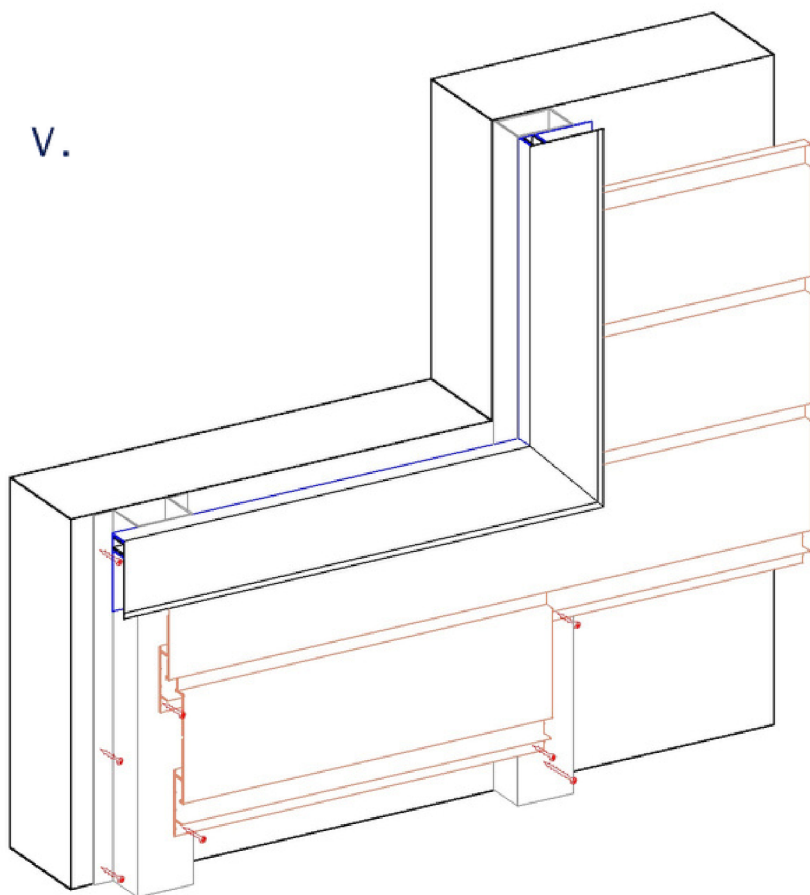
- Cut the cladding board to the required length.
- Screw its down side to the female finisher base.

IV.

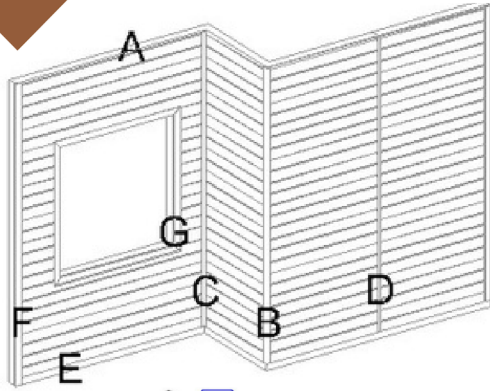


- Do previous operation for the rest of the cladding boards.
- At the end, applying silicon to the edges of cladding boards is recommended to make the finishing be sealed and waterproof.

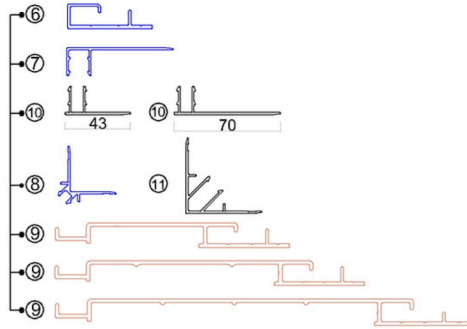
V.



- Trim male finisher top similar to female base ones, and clip male joiner tops on to female bases to conceal cladding board edges, screws, and fixing.

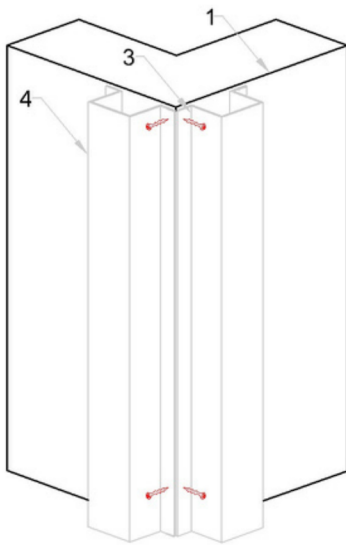


Used section



- 1- Building structure by others
- 2- Sarking by others
- 3- Screw
- 4- Batten or top hat
- 5- Aluminium angle to suit
- 6- Starter piece
- 7- Female finisher base
- 8- Male corner piece
- OR
- 9- Cladding board
- 10- Male finisher top
- OR
- 11- Female corner piece

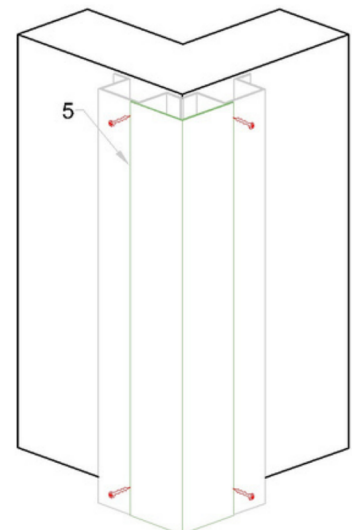
I.



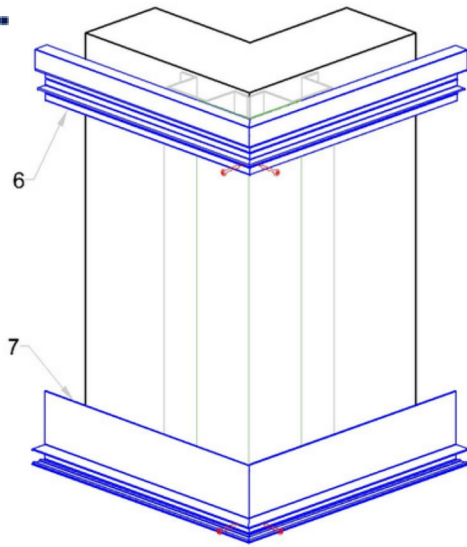
- Install battens or top hat to the corner of the building structure.
- Level them with other installed

- Install an angle piece to give a right angle.
- Screw it to batten or top hat.

II.



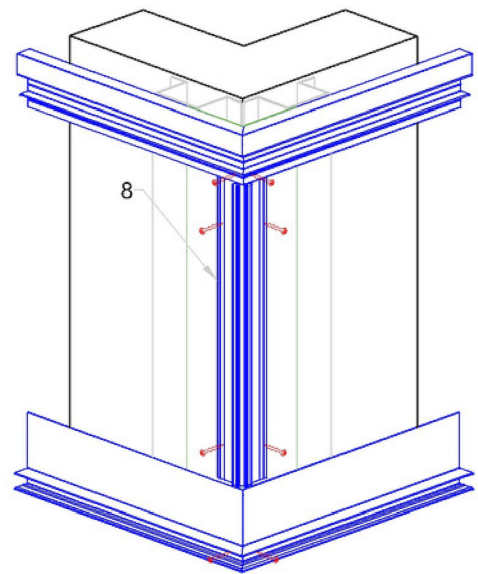
III .



- Cut starter piece end 45 degree angle to shape the corner then Screw it to batten.
- Cut female finisher base end 45 degree angle to shape the corner then Screw it to batten.

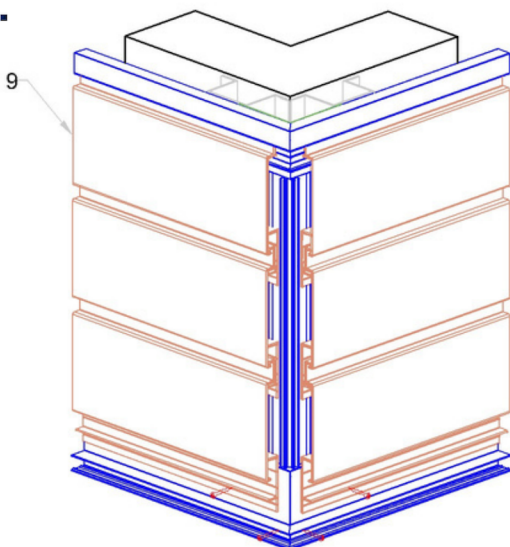
- Install male corner piece .
- Screw from its sides to angle piece.

IV .

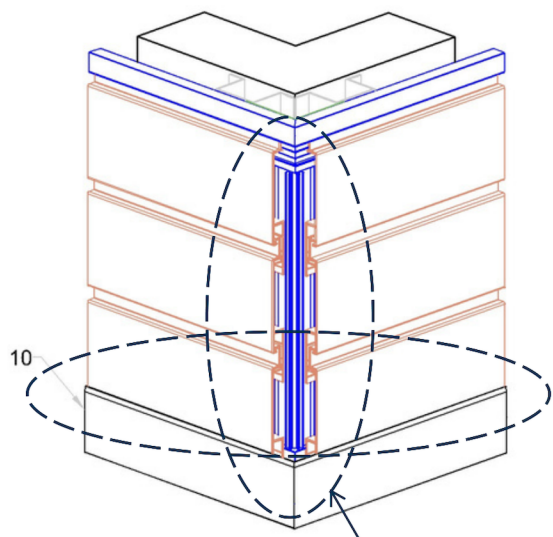


- Cut the cladding board to the required length.
- Screw its down side to the male corner piece.

V .



VI.

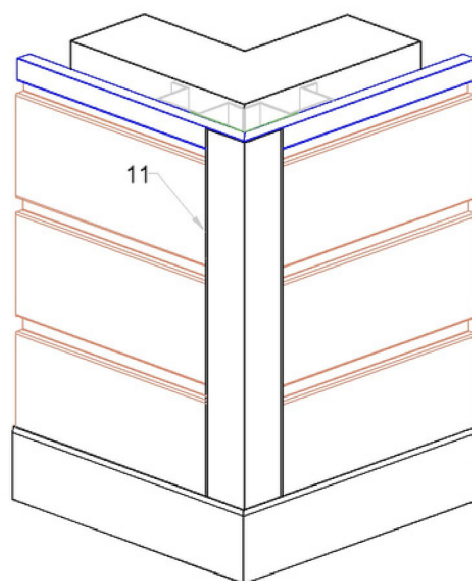


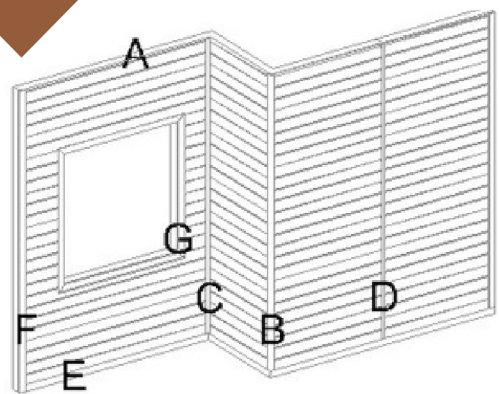
Silicon should be applied to these edges of the cladding boards.

- Cut starter piece end 45 degree angle to shape the corner
- Clip the 70 mm OR 43 mm male finisher top into female finisher base to conceal cladding board edges, screws, and fixing. At the end, applying silicon to the edges of cladding boards is recommended to make the corner be sealed and waterproof.
- r then Screw it to batten.
- Cut female finisher base end 45 degree angle to shape the corner then Screw it to batten.

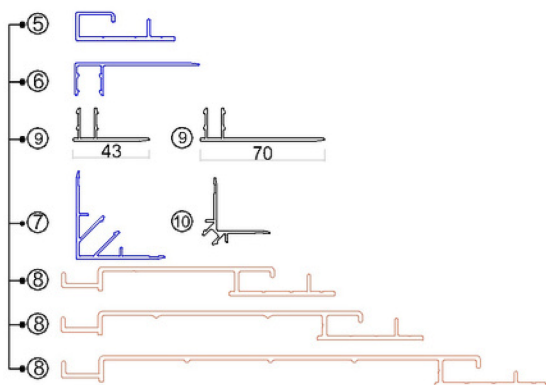
- Clip female corner piece into male corner piece to conceal cladding board edges, screws, and fixing.

VII.

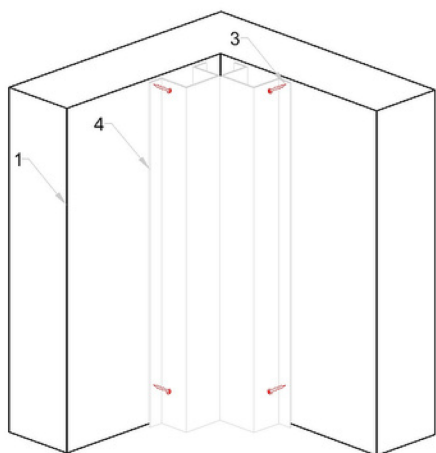




Used section



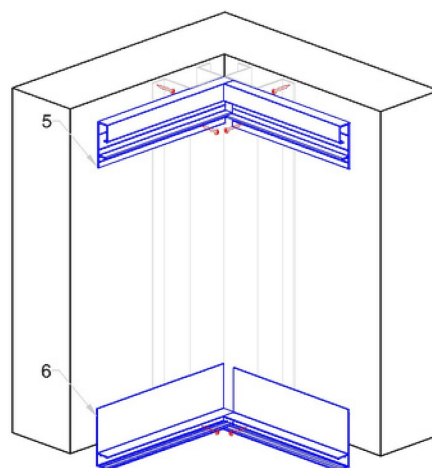
I.



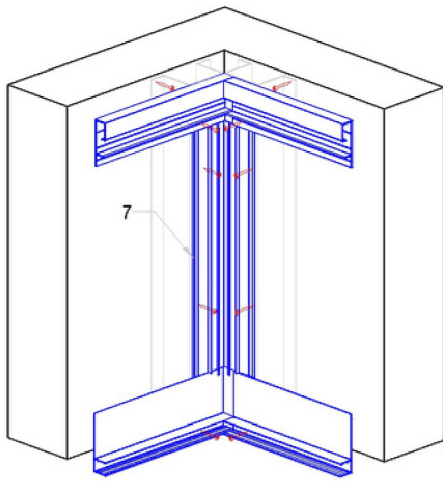
- Install battens or top hat to the corner of the building structure.
- Level them with other installed battens.
-

- Install the starter piece as shown in the picture.
- Install a female corner piece as shown in the picture.

II.



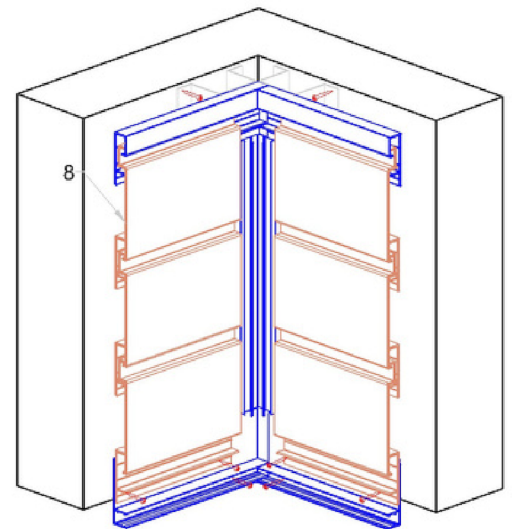
III .



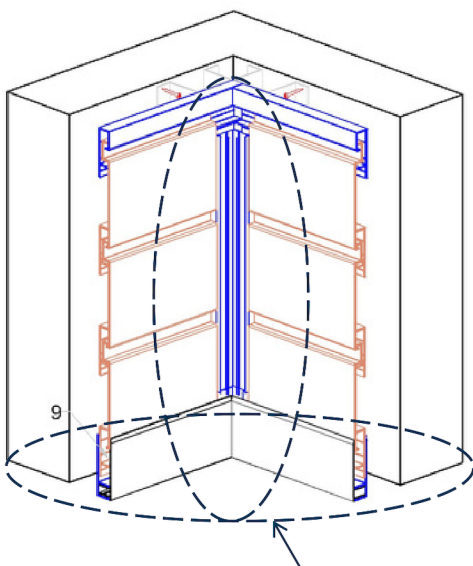
- Install a female corner piece. Screw from its sides to Batten.

IV .

- Cut the cladding board to the required length.
- Screw its down side to the male corner piece .



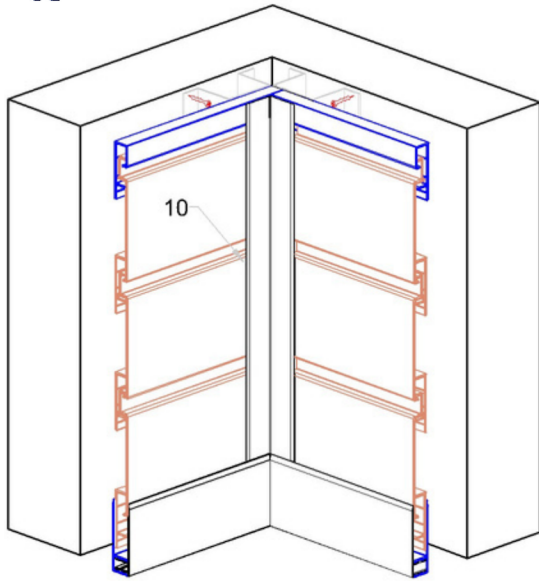
V .



- Clip the 70 mm OR 43 mm male finisher top into female finisher base to conceal cladding board edges, screws, and fixing.
- At the end, applying silicon to the edges of cladding boards is recommended to make the corner be sealed and waterproof.

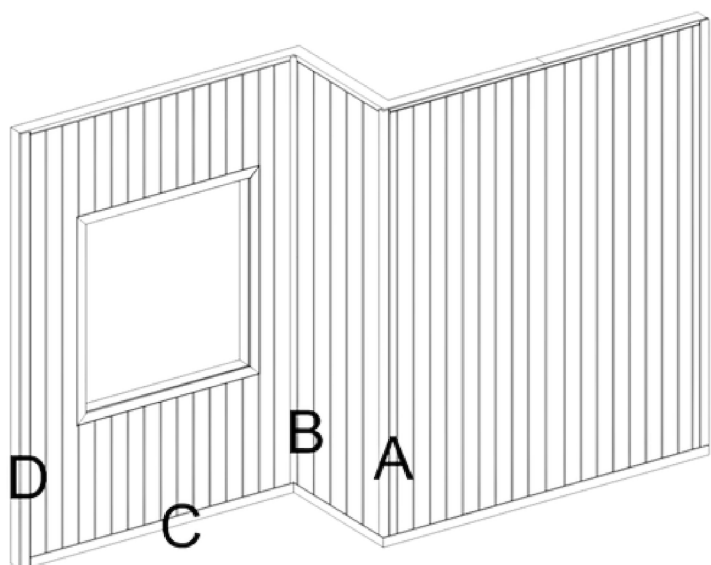
Silicon should be applied to these edges of the cladding boards.

VI.



- Clip male corner piece into female corner piece as shown in the picture, to conceal cladding board edges, screws, and fixing.





- 23. Vertical cladding profiles
- 24. Section A - External corner detail
- 26. Section B - Internal corner detail
- 28. Section A - External corner detailC
- 29. Section C - Finisher and starter detail
- 31. Section D - Side finisher and starter detail
- 35. External corner detail +Starter + Finisher
- 37. Finisher Internal corner detail + Starter + Finisher

VERTICAL CLADDING

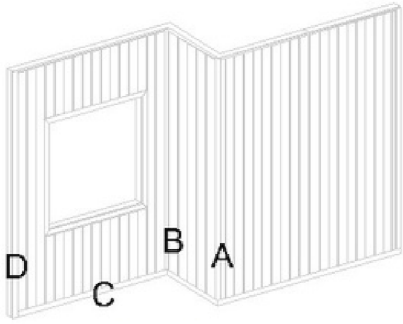
Cladding 100		
Cladding 150		
Cladding 200		
Star ter		
Finishers		
Corner pieces		

NOTE

Be mindful during the entire installation process. First, the battens should be installed, then the base piece of the starter, finisher joiner, and corner pieces should be installed. After that, the cladding boards should be installed. Finally, the finishing parts of the finisher joiner and corner pieces should be installed.

It is important to manage the shadow gap (between 1-15mm) in all projects, based on your design.

VERTICAL CLADDING - SECTION A - EXTERNAL CORNER DETAIL



1- Building structure by others

There should be at least a 5 mm gap between the

2- Sarking by others cladding board/starter piece

3- Screw

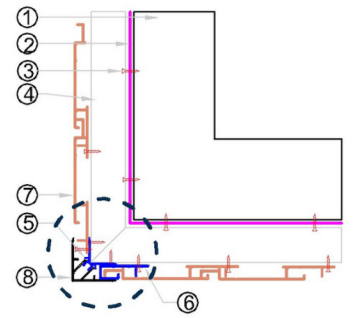
and corner pieces to allow expansion and contraction.

4- Batten or box section

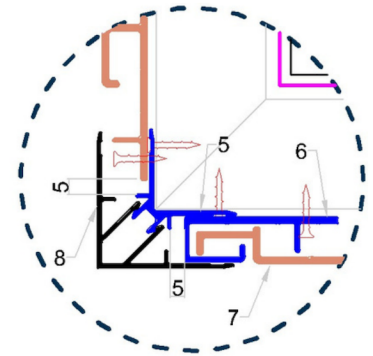
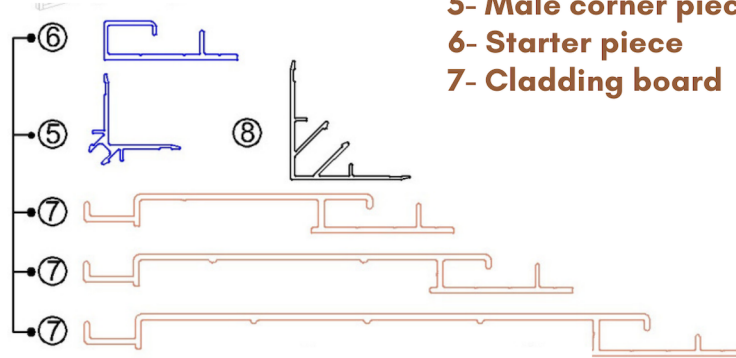
5- Male corner piece

6- Starter piece

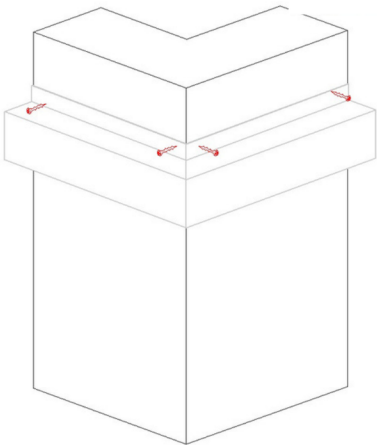
7- Cladding board



Used Section

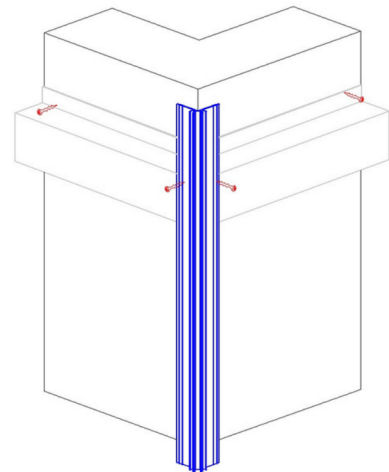


I.



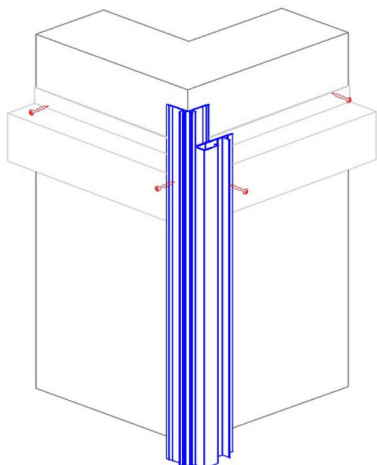
- Install battens or top hat to the corner of the building structure as shown in the picture.
- Level them with other installed battens.

II.



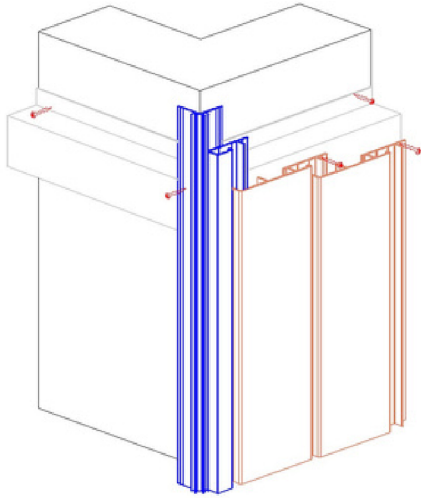
- Install male corner piece .
- Screw from its sides to battens..

III.



- Install starter piece to the side of male corner piece that the cladding will start.

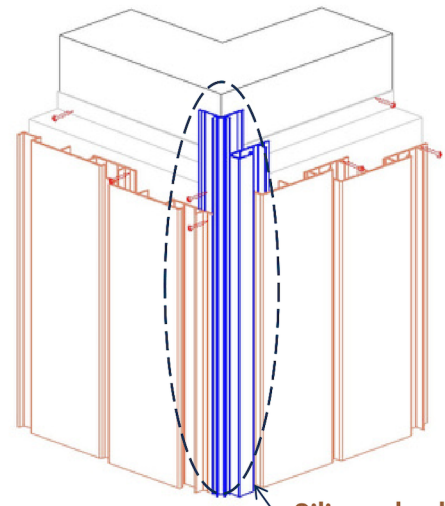
IV .



- Cut the cladding board to the required length.
- Install first cladding by placing it in the starter piece.
- Screw finishing side of cladding board to the batten.

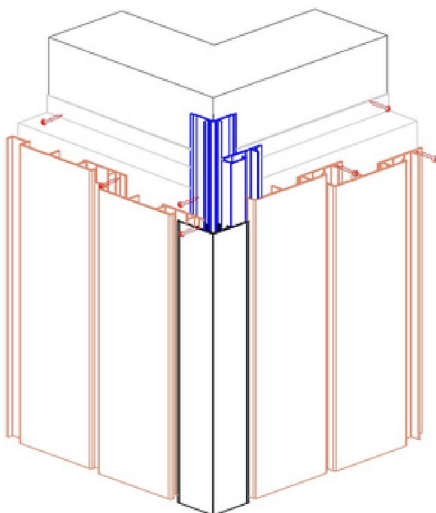
- Install male corner piece .
- Screw from its sides to angle piece.

V .



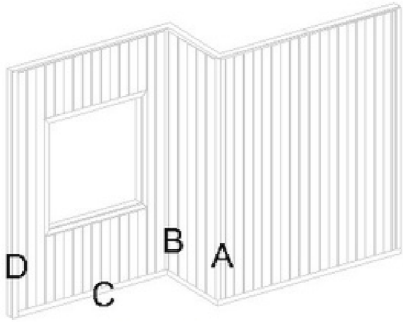
Silicon should be applied to these edges of the cladding boards.

VI .

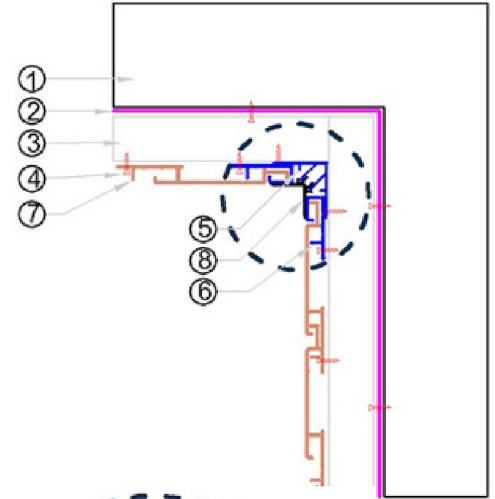


- Cut the cladding board to the required length.
- Screw its down side to the male corner piece.

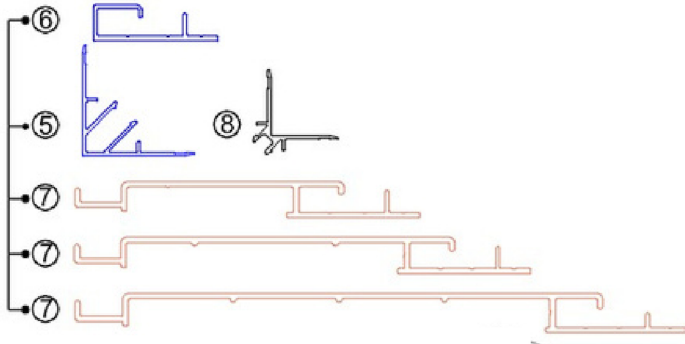
VERTICAL CLADDING - SECTION B - INTERNAL CORNER DETAIL



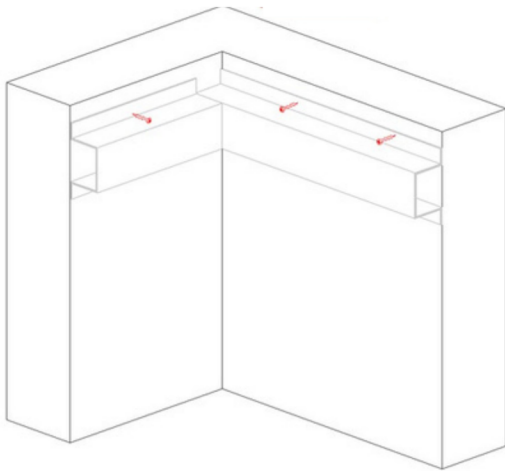
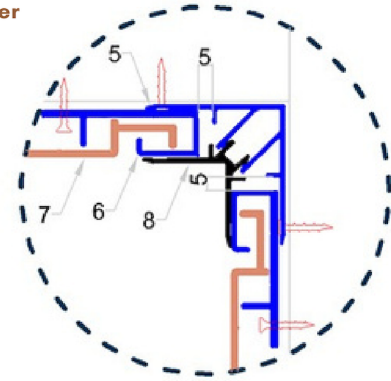
- 1- Building structure by others
- 2- Sarking by others
- 3- Screw
- 4- Batten or box section
- 5- Female corner piece
- 6- Starter piece
- 7- Cladding board
- 8- Male corner piece



Used Section

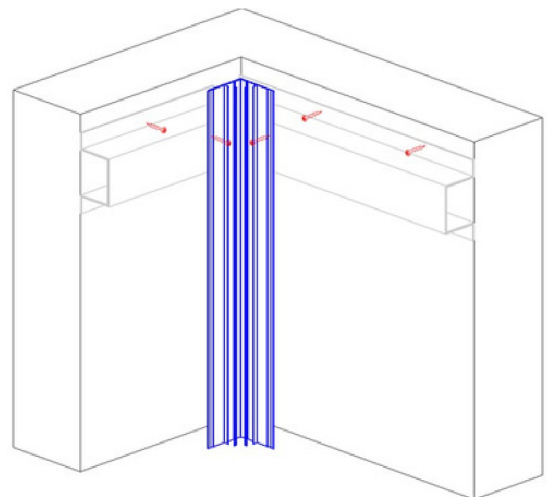


There should be at least a 5 mm gap between the starter piece and corner pieces to allow expansion and contraction.



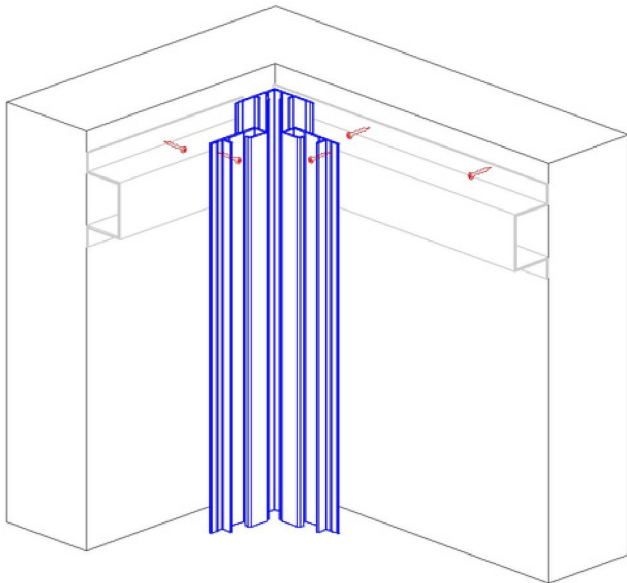
- Install battens or top hat to the corner of the building structure
- Level them with other installed battens.

II.



- Install female corner piece .
- Screw from its sides to battens.

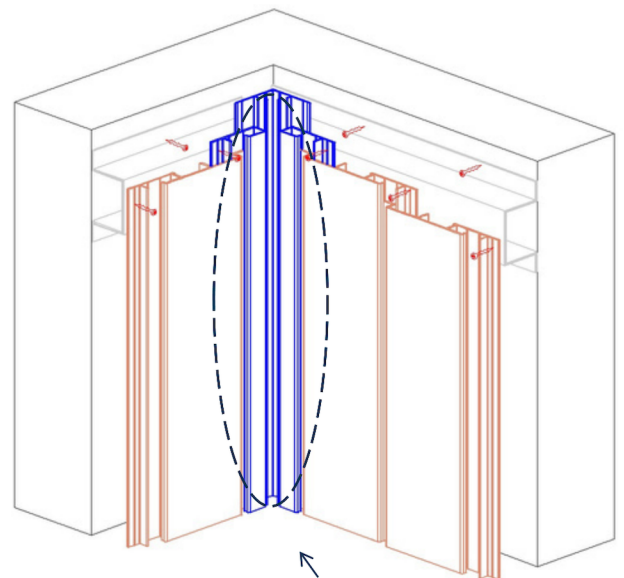
III.



- Install the starter piece to the side of the female corner piece where the cladding will start.

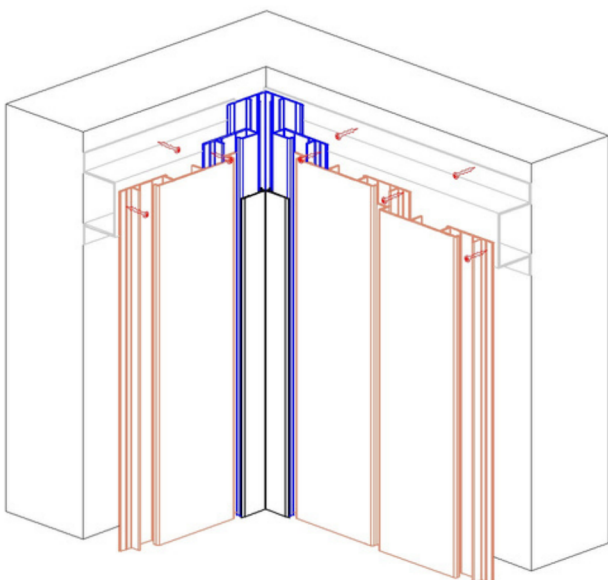
- Cut the cladding board to the required length.
- Install first cladding by placing it in the starter piece.
- Install the rest of the cladding boards by clipping them to each other and screw its finishing side to the batten.
- At the end, applying silicon to the edges of cladding boards is recommended to make the corner be sealed and waterproof.

IV.



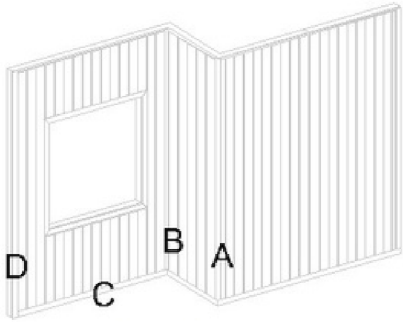
Silicon should be applied to these edges of the cladding boards.

V.



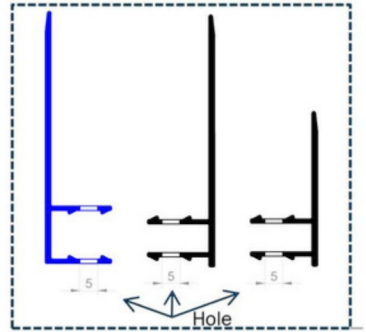
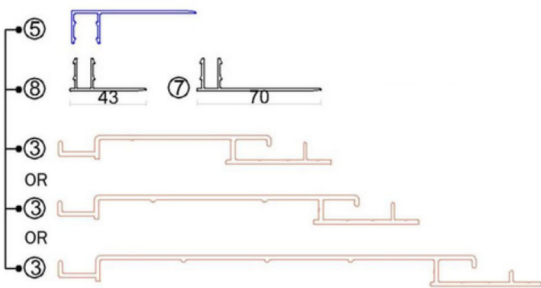
- Clip male corner piece into female piece to conceal cladding board edges, screws, and fixings.

VERTICAL CLADDING - SECTION A - EXTERNAL CORNER DETAIL



- 1- Building structure by others
- 2- Sarking by others
- 3- Cladding board
- 4- Box section
- 5- Female finisher base
- 6- Screw
- 7- Male finisher top

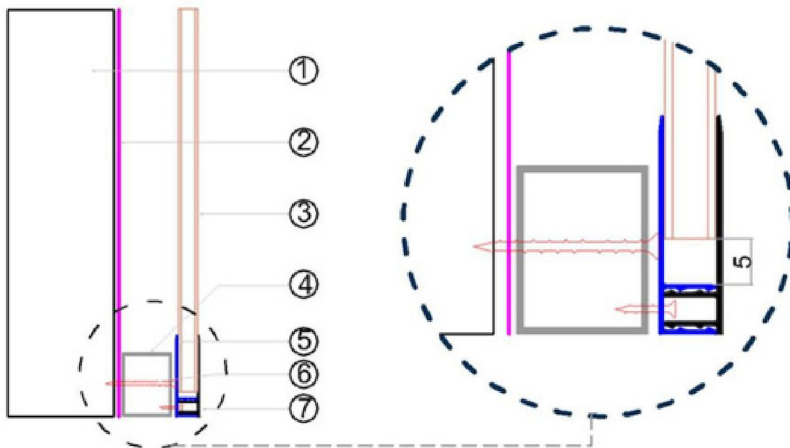
Used Section



It is important to make a water drain hole before installing the finisher. We recommend putting 5mm hole on the underside of both the male and female pieces every 500 mm to create a water drain hole, then you could start the installation process.

Note: Once you clip the male and female pieces together, they cannot be detached.

Section View



The 70mm male finisher top.

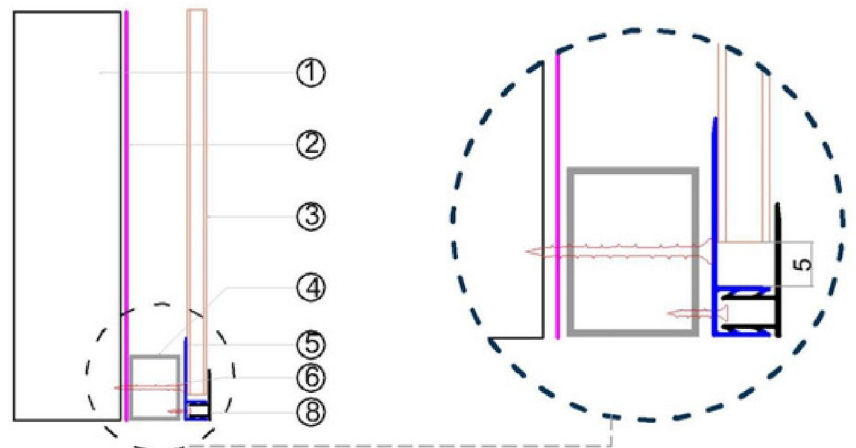
There should be at least a 5 mm gap between the cladding board and finisher pieces to allow expansion and contraction.



OR



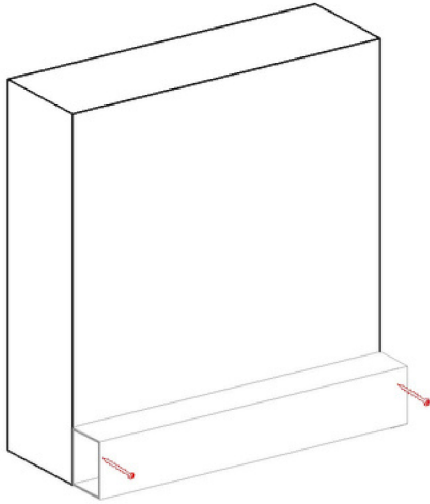
Section View



The 43mm male finisher top.

There should be at least a 5 mm gap between the cladding board and finisher pieces to allow expansion and contraction.

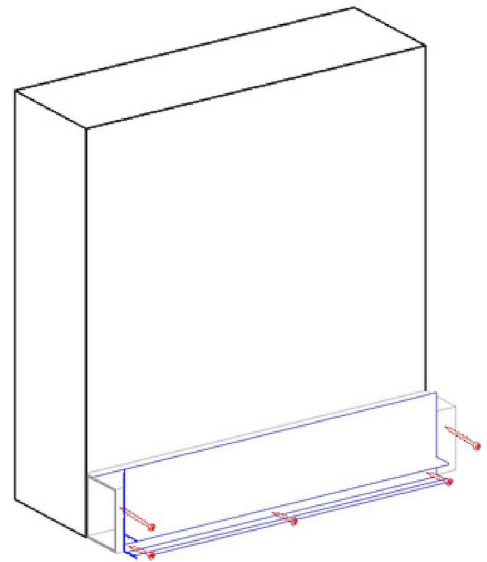
I.



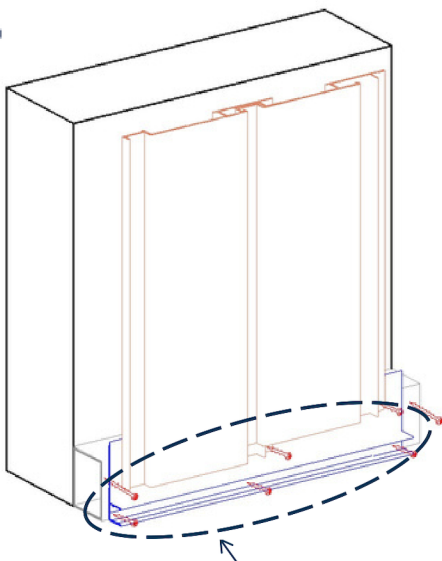
- Install battens or box section to building structure.
- Level them with other installed

- Install female finisher base. screw it to box section.

II.



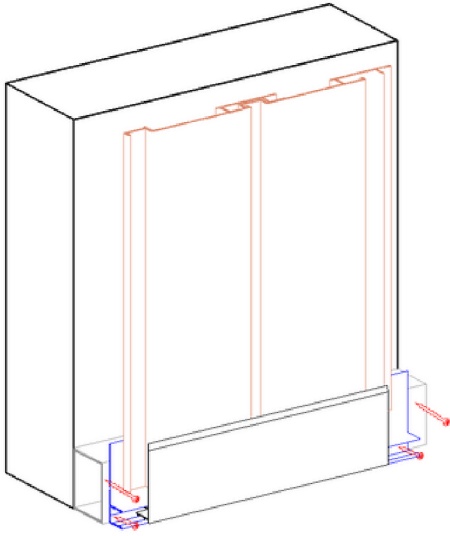
III.



Silicon should be applied to these edges of the cladding boards.

- Start install cladding boards from a corner.
- Cut each cladding board so that it butts up to finishing base.
- At the end, applying silicon to the edges of cladding boards is recommended to make the finishing be sealed and waterproof.

IV .



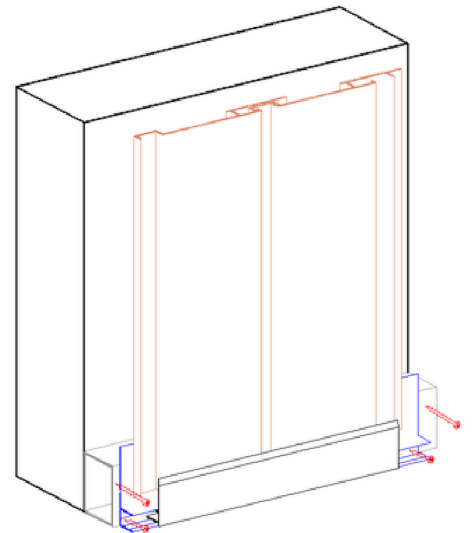
- The 70 mm male finisher top.
- Clip male finisher top into female base. to conceal cladding board edges, screws, and fixing.

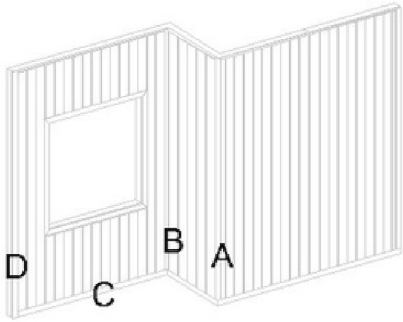


OR



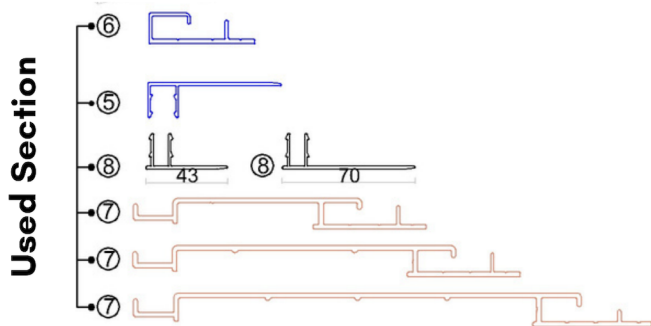
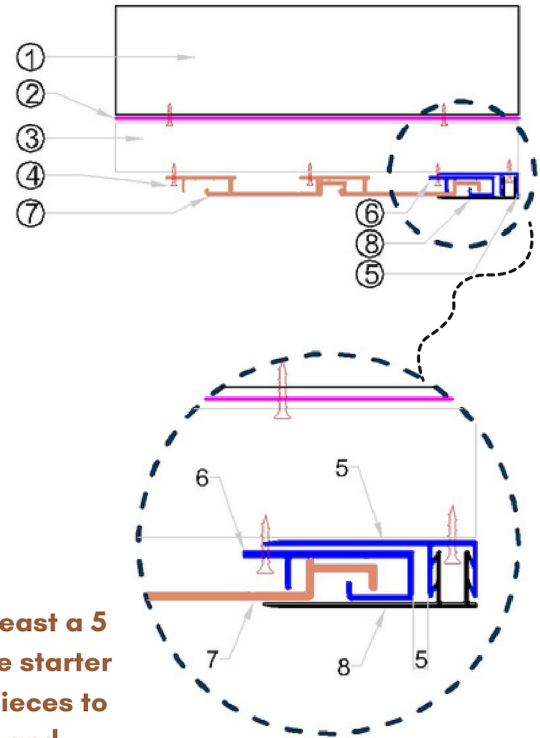
- The 43 mm male finisher top.





- 1- Building structure by others
- 2- Sarking by others
- 3- Batten or box section
- 4- Screw
- 5- Female finisher base
- 6- Starter piece
- 7- Cladding board
- 8- Male finisher top

Plan view



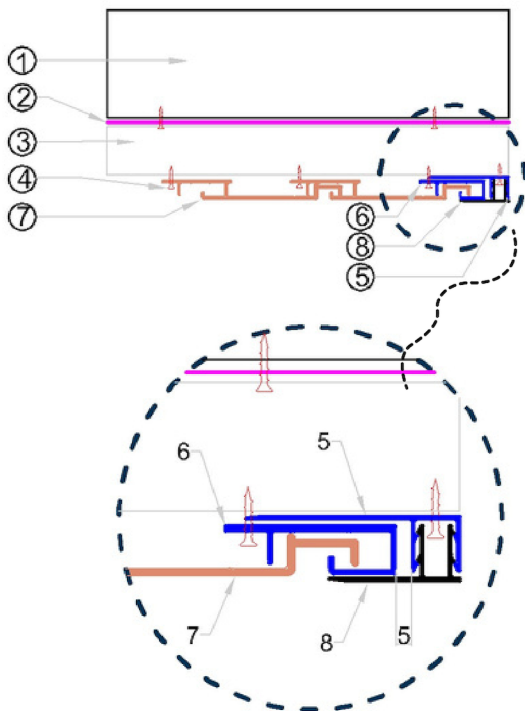
There should be at least a 5 mm gap between the starter piece and finisher pieces to allow expansion and contraction.



OR

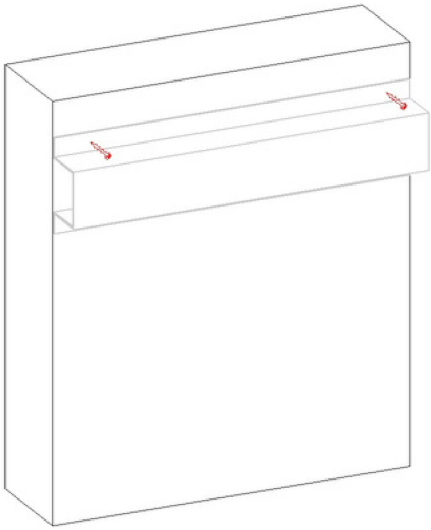


Plan view



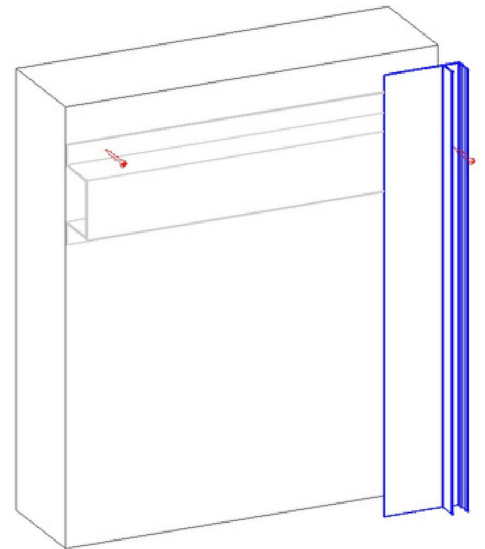
There should be at least a 5 mm gap between the starter piece and finisher pieces to allow expansion and contraction.

I.



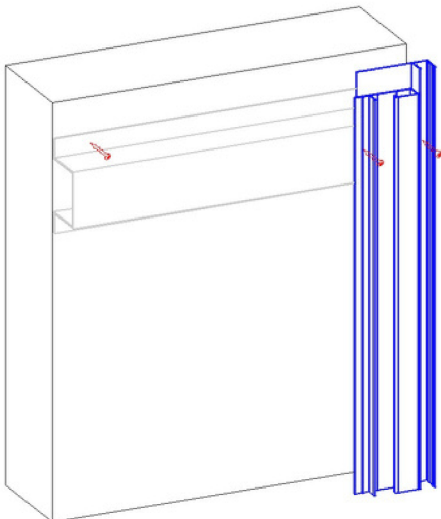
- Install battens or box section to building structure .
- Level them with other installed battens.

II.



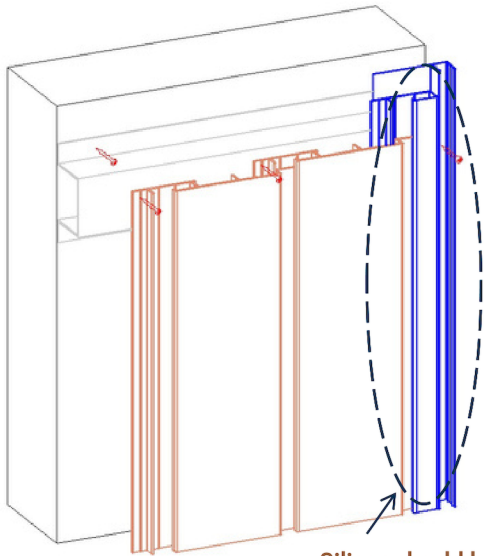
- Install female finisher base. Install female finisher base . screw it to batten. crew it to box section.

III.



- Install starter piece to the female finisher base that the cladding will start.

IV.

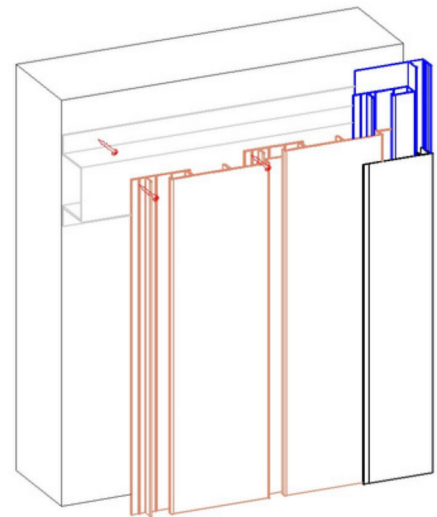


Silicon should be applied to these edges of the cladding boards.

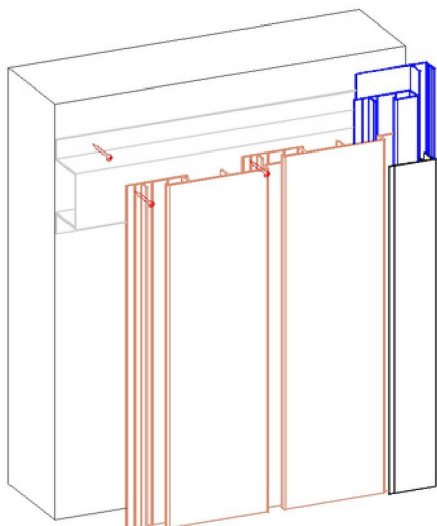
- Cut the cladding board to the required length.
- Install first cladding by placing it in the starter piece.
- Install the rest of the cladding boards by clipping them to each other and screw its finishing side to the batten.
- At the end, applying silicon to the edges of cladding boards is recommended to make the corner be sealed and waterproof.

- The 70 mm male finisher top.
- Clip male finisher top into female base. to conceal cladding board edges, screws, and fixing.

V.

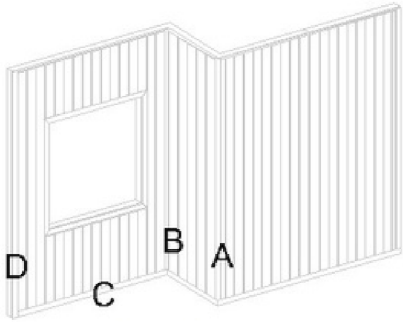


OR

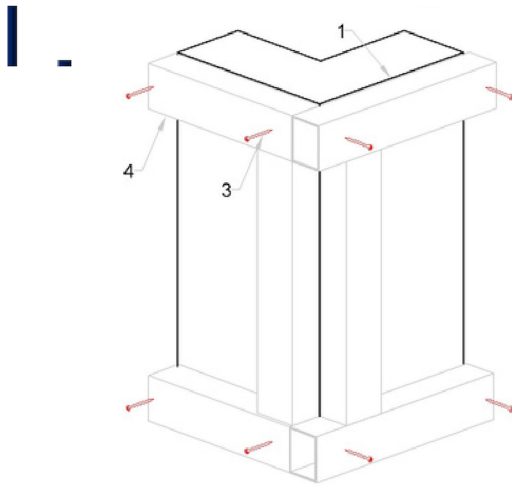
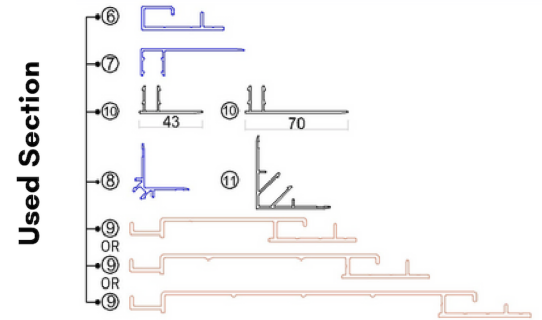


- The 43 mm male finisher top.

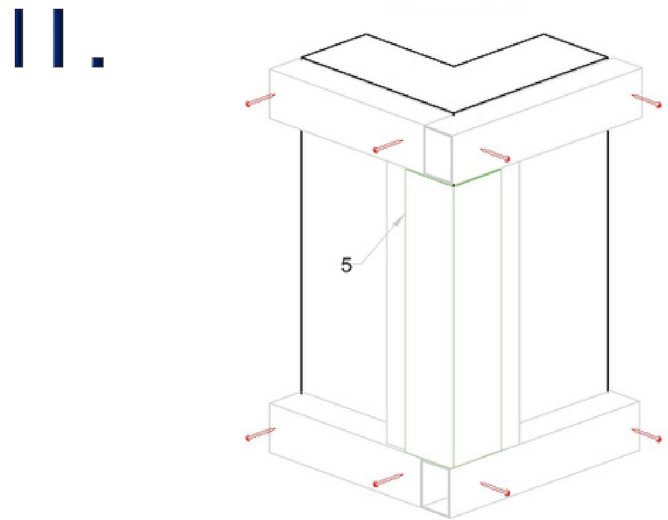
VERTICAL CLADDING - EXTERNAL CORNER DETAIL +STARTER + FINISHER



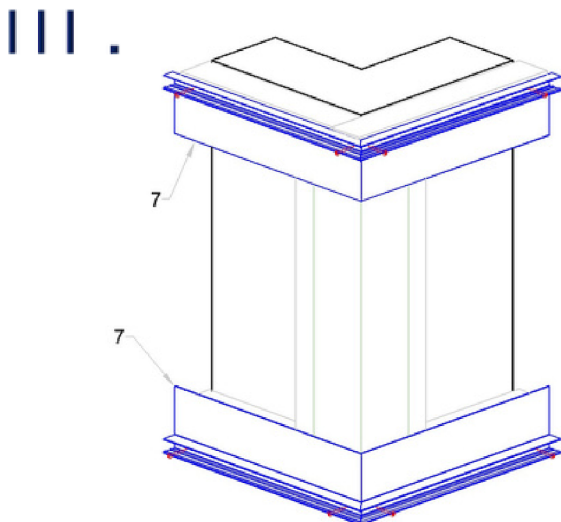
- 1- Building structure by others
- 2- Sarking by others
- 3- Screw
- 4- Batten or box section
- 5- Aluminium angle to suit
- 6- Starter piece
- 7- Female finisher base
- 8- Male corner piece
- 9- Cladding board
- 10- Male finisher top
- 11- Female corner piece



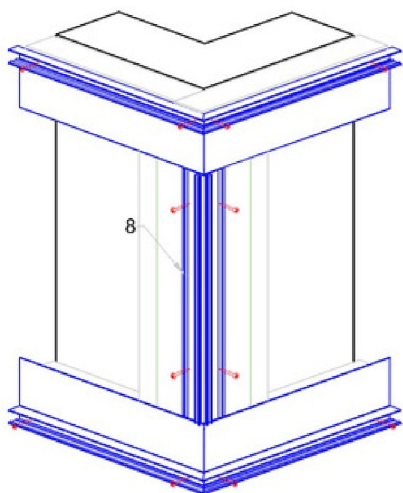
- Install angle piece to give right angle.
- screw it to batten.



- Cut one end of female finisher base 45 degree angle to shape the corner piece same as shown in the picture . Then screw it to batten.

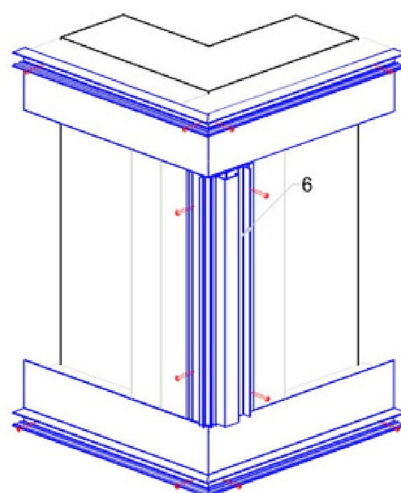


IV



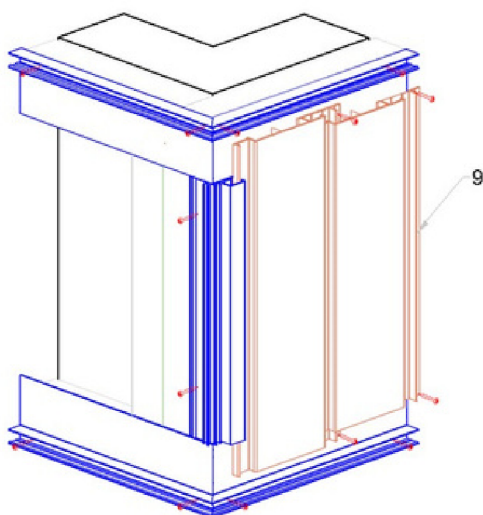
- Install male corner piece same as shown in the picture.
- Screw from its sides to angle piece.

V .



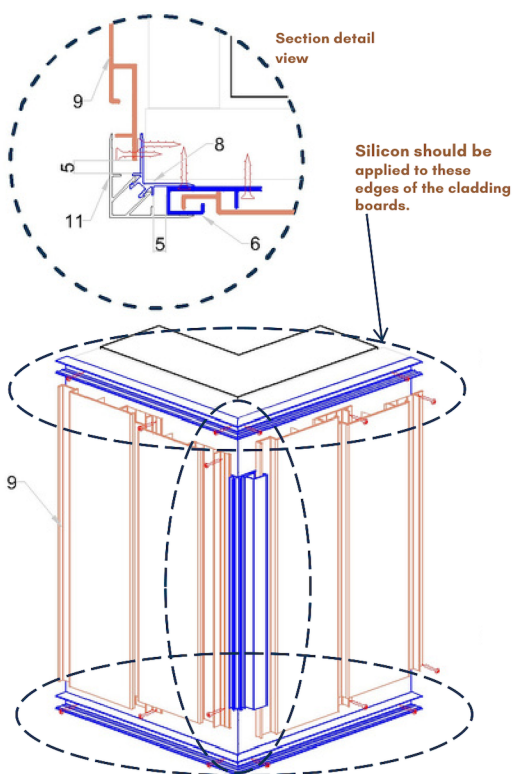
- Install male corner piece same as shown in the picture.
- Screw from its sides to angle piece.

VI.



- Cut the cladding board to the required length.
- Install first cladding by placing it in the starter piece and screw its finishing side to the batten.

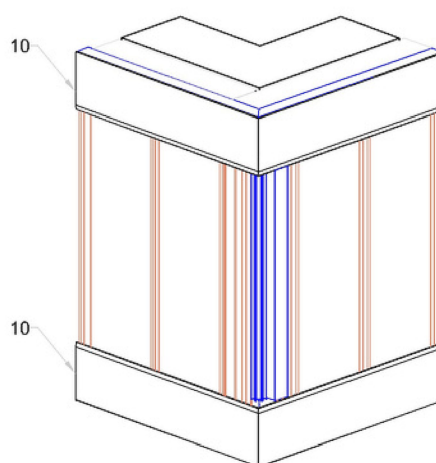
VII.



- Install the rest of the cladding boards by clipping them to each other and screw its finishing side to the batten.
- At the end, applying silicon to the edges of cladding boards is recommended to make the corner be sealed and waterproof.

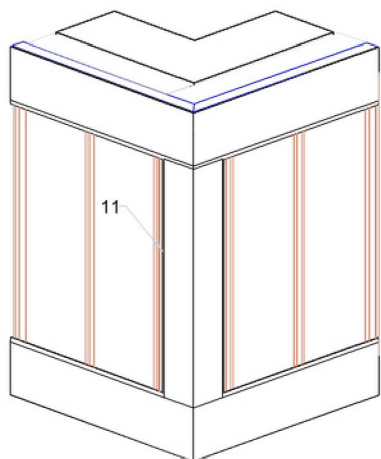
- Clip the 70 mm OR 43 mm male finisher top into female finisher base to conceal cladding board edges, screws, and fixing.

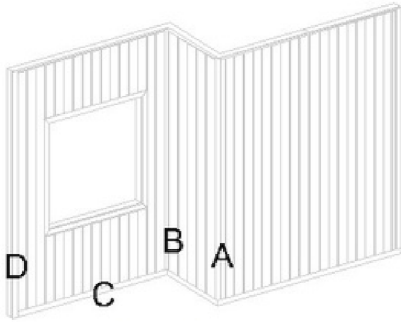
VIII.



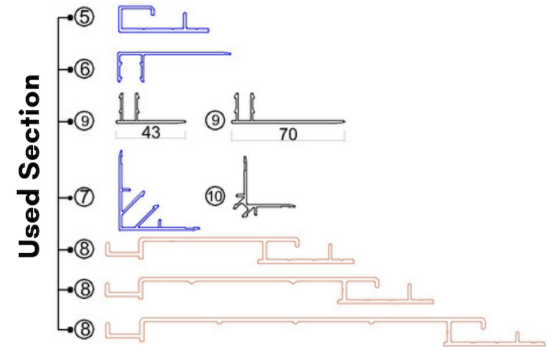
- Clip female corner piece into male corner piece to conceal cladding board edges, screws, and fixing.

IX.

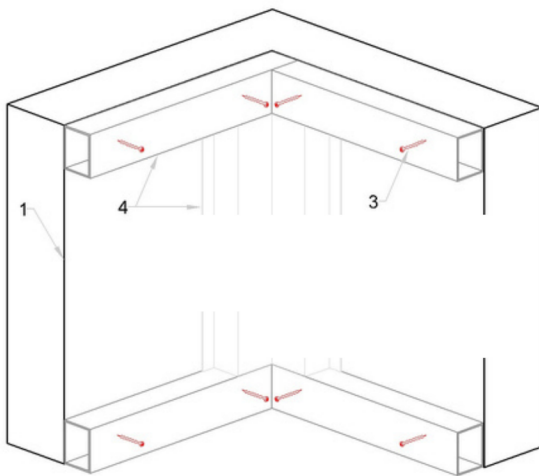




- 1- Building structure by others
- 2- Sarking by others
- 3- Screw
- 4- Batten or box section
- 5- Starter piece
- 6- Female finisher base
- 7- Female corner piece
- 8- Cladding board
- 9- Male finisher top
- 10- Female corner piece



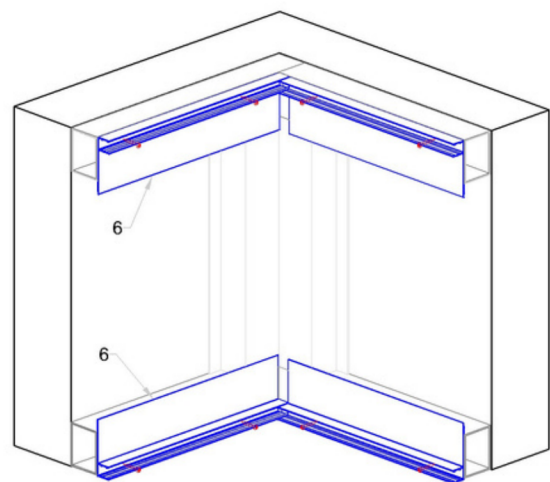
I.



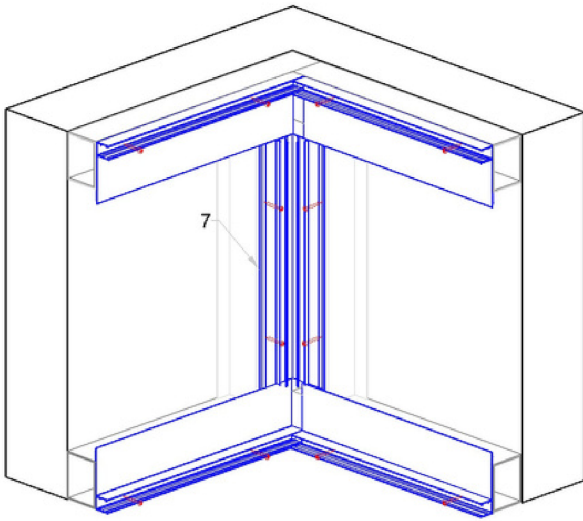
- Install battens or top hat to the corner of the building structure.
- Level them with other installed battens.

II.

- Install female finisher base as shown in the picture.



III.

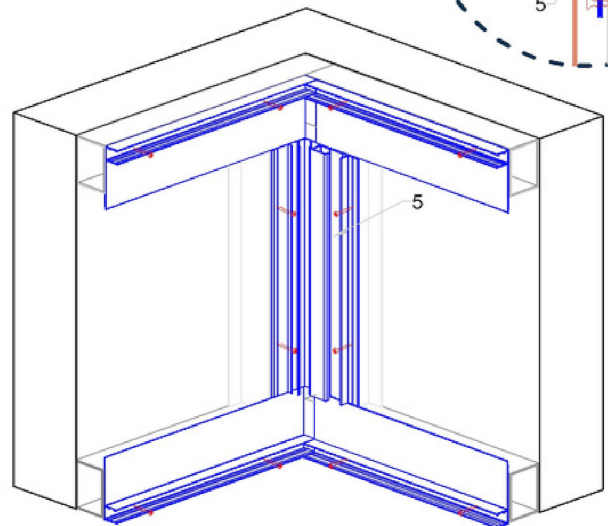
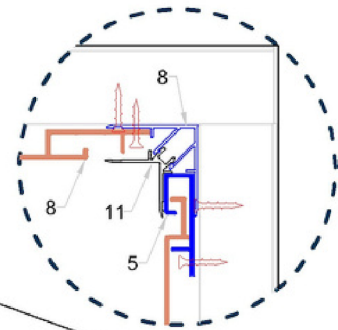


- Install female corner piece.
- Screw from its sides to Batten.

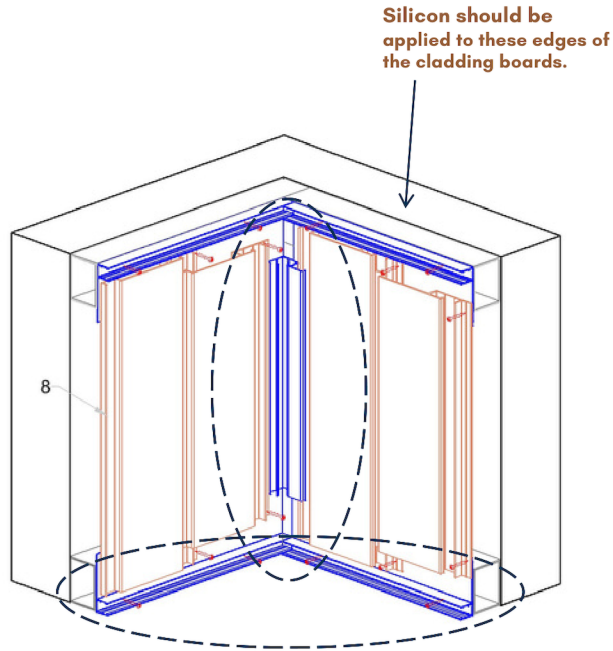
IV.

- Install starter piece to the side of female corner piece that the cladding will start.

Section detail view



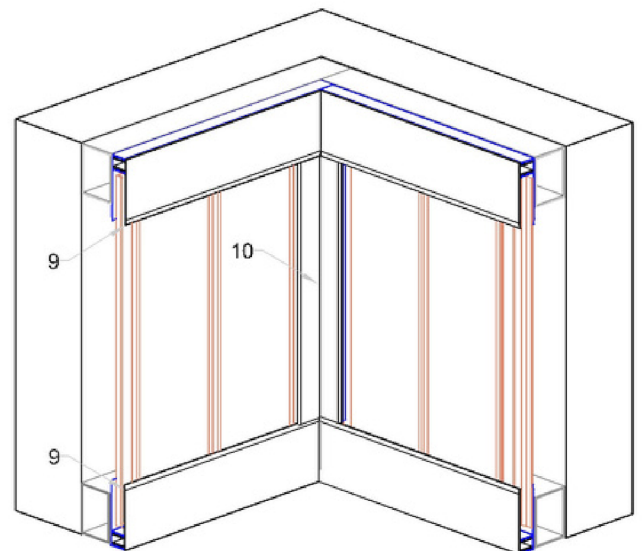
V .



- Cut the cladding board to the required length.
- Install first cladding by placing it in the starter piece and screwing its finishing side to the batten.
- Install the rest of the cladding boards by clipping them to each other and screw its finishing side to the batten.
- At the end, applying silicon to the edges of cladding boards is recommended to make the corner be sealed and waterproof.

VI.

- First clip the 70 mm OR 43 mm male finisher top, then clip male corner piece into female corner piece to conceal cladding board edges, screws, and fixing.





Leading Providers of Woodgrain Sublimation and Powder Coating Services in Australia.



02 9622 6205



02 9622 6242



Sales@linkpowdercoating.com.au



6-8 Garling Road, Kings Park, NSW 2148



10 Valediction Road, Kings Park, NSW 2148



/linkpowdercoating



/linkpowdercoating

www.linkpowdercoating.com.au